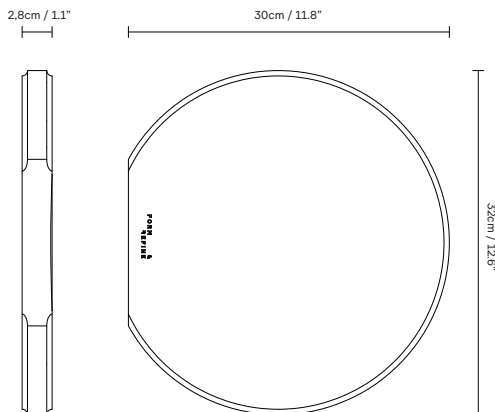


Section Cutting Board, Round

Product Fact Sheet

Section Cutting Board, Round

No. (3200) Section Cutting Board, Round



Dimensions:

L: 30 cm / 11.8", B: 32 cm / 12.6", H: 2.8 cm / 1.1"

Product description:

The round cutting board is the perfect size for almost all culinary preparation. At the same time, it can be used as a fine serving plate due to its elegant round form. The small curve highlights the quality in the solid piece of wood and gives the board an extra elegant function. It can stand upright on the countertop, when not in use, and serve as a decorative element of the home.

Designer's thoughts:

"Making a cutting board, it was clear to us that function and form really have to stand out. Therefore, it can stand, be turned, and be grabbed easily. The objects with the curved lines were named Section to underline the form, which gives the boards their expression and functionality." Herman Studio

Finish:



Food approved
oil finish

Made-to-order:

Non-standard configurations (special colors etc.) are available upon request at a minimum order quantity

Product type: Cutting board

Environment: Indoor

Material: Solid European oak

Country of origin: Bosnia-Herzegovina

Net weight: 1250 g / 2.8 lb

Designed by/year of design: Herman Studio, 2019

Pre-assembled: Yes

Contract use: Yes

Scope of application: Serving plate, cutting board

Certifications: FSC certified

Warranty: Form & Refine provides a five-year product warranty

Additional resources: [Link to image bank, 2D/3D files](#)