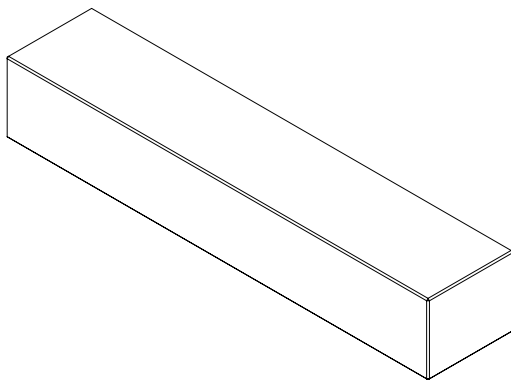


# Plinth Shelf

*by Norm Architects*



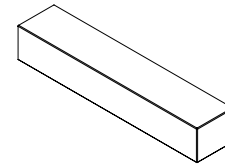
MENU

Congratulations on your new Plinth Shelf designed by Norm Architects. We hope you will enjoy using this item and follow these instructions to ensure correct installation. These instructions are provided for your safety.

It is important that the instructions are read carefully and completely before assembling.

---

## COMPONENT OVERVIEW



1 x Plinth Shelf



1 x Wall mount



4 x Screws



4 x Rawplugs

---

## IMPORTANT INFORMATION

### CAUTION

Use screws and wall plugs that are suitable for the walls in your home. If you are uncertain as to which types of screws/wall plugs to use, you should ask your DIY store.

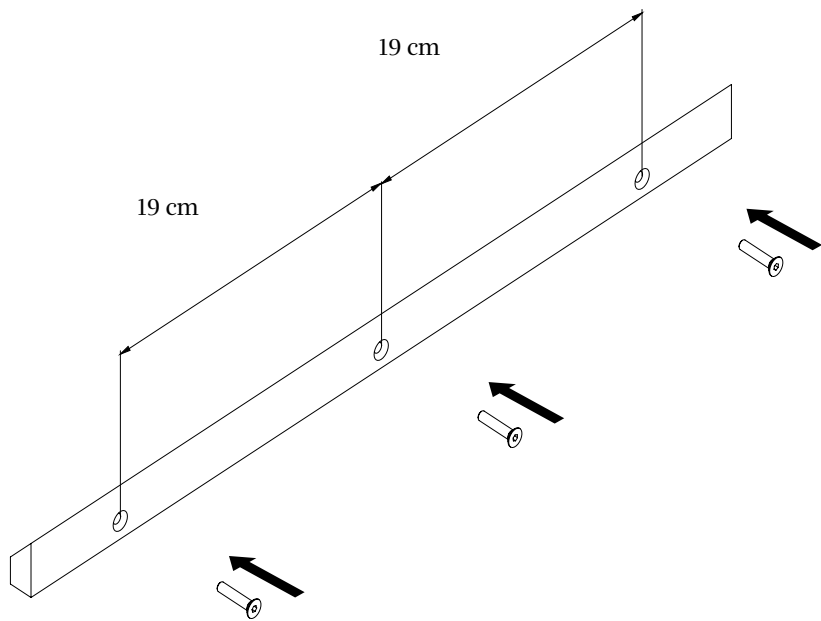
If the Plinth shelf is mounted according to the assembly instruction, and the recommendations of screws and wall plugs, it can handle **up to 8 kg**.

---

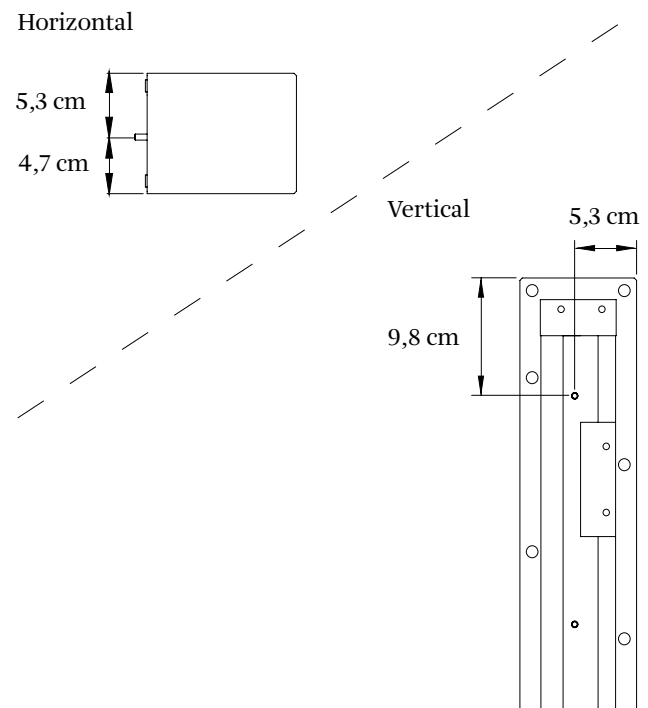
### CARE AND MAINTENANCE

Please see care instructions on [www.menuspace.com](http://www.menuspace.com)

1

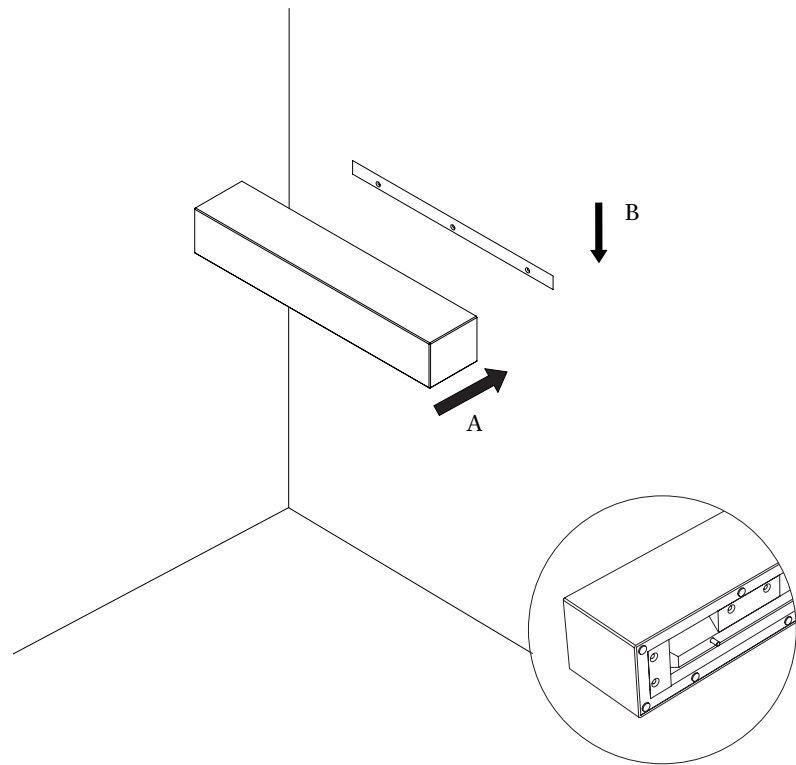


2



3

Horizontal



4

Vertical

