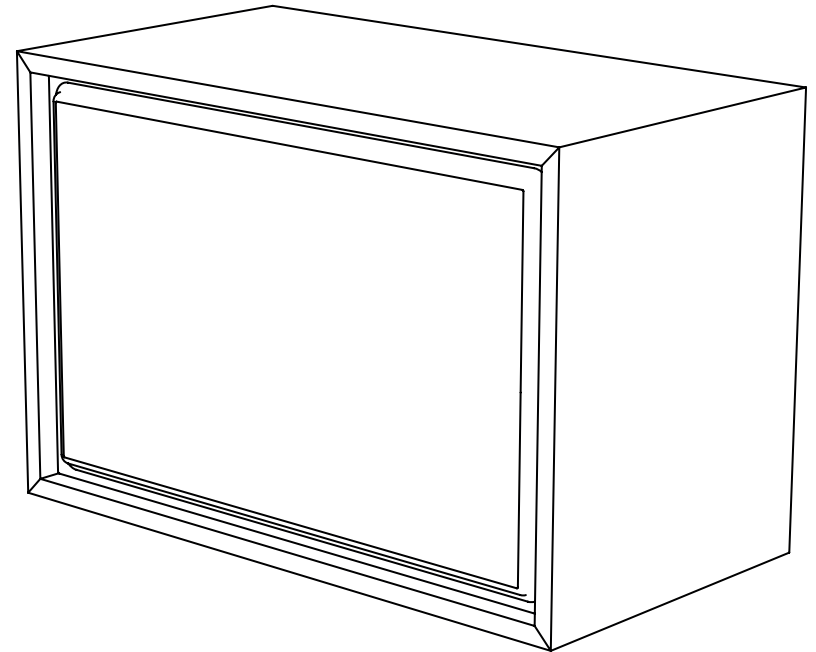
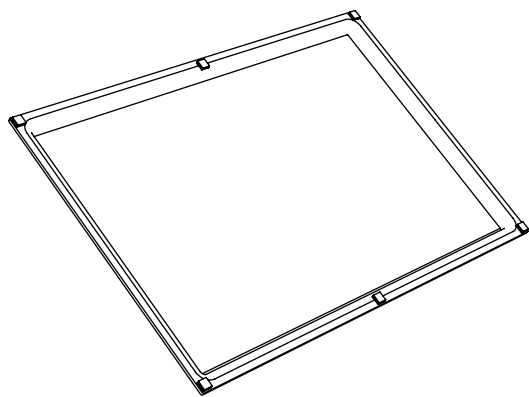


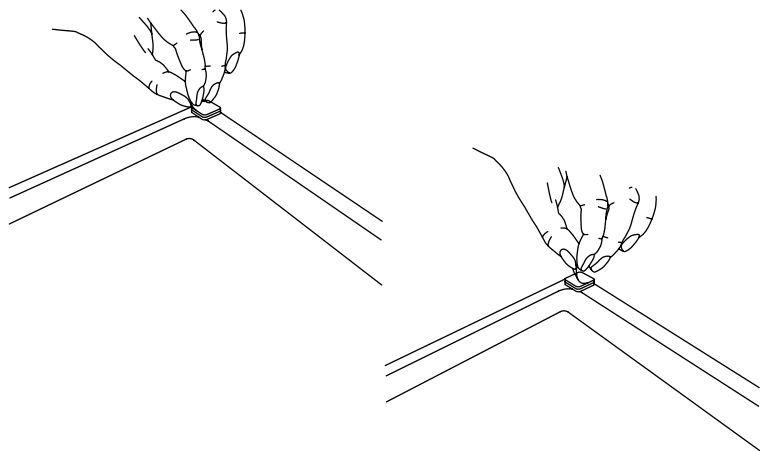
STACKED ACOUSTIC PANELS





ASSEMBLY INSTRUCTION / SAMLE MANUAL / MONTAGEANLEITUNG /
INSTRUCTIONS DE MONTAGE / INSTRUCCIONES DE MONTAJE

1.



2.

