



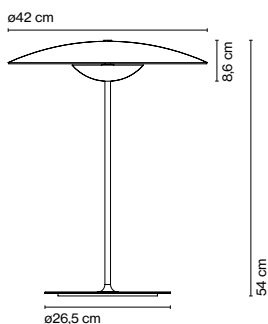
Ginger

Joan Gaspar

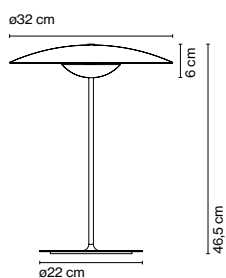
marset



Ginger M



Ginger S



Ginger M

LED SMD 15,4W 700mA
2700K 2130lm (included)

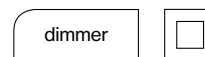
Ginger S

LED SMD 7,8W 700mA
2700K 1066lm (included)

- Oak
- Wenge

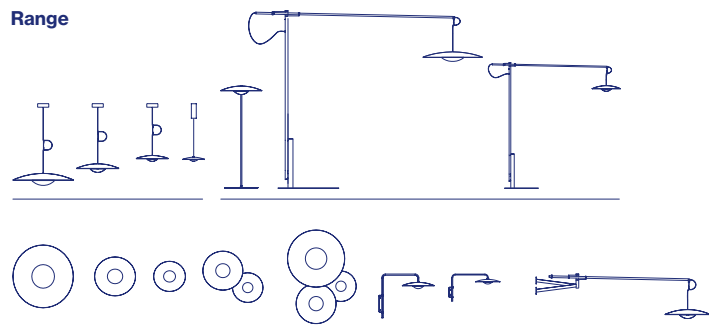
Black electrical cord

Diffuser and pressed wood base of 4 mm in natural oak or wenge. Injected aluminium dissipater and lacquered black matte metal stem.



- [Download](#) Assembly Instructions
- [Download](#) Photometric Data
- [Download](#) 2D
- [Download](#) 3D
- [Download](#) Energy label

Range

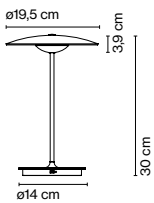


Watch the video
info@marset.com
www.marset.com

Wood is a great ally of cozy lighting. It is a material that is hard to mold, a challenge that the Ginger collection neatly resolves. The combination of sheets of wood and paper pressed together under high pressure achieves a laminate that appears almost entirely flat.



Ginger 20 M



Watch the video
info@marset.com
www.marset.com

Ginger20 M

LED SMD 3,2W 350mA
 2700K 478lm (included)

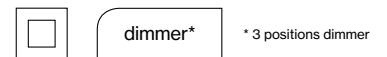
- Oak
- Wenge

Battery life

5 hours in peak power
 10 hours in half power
 20 hours in a quarter power

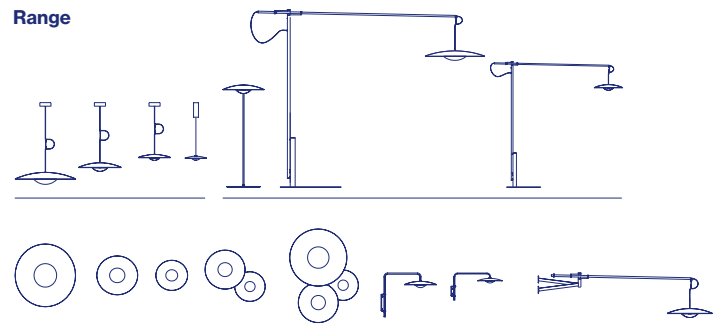
Battery charging time: 10h

Diffuser and pressed wood base of 4 mm in natural oak or wenge. Injected aluminium dissipater and lacquered black matte metal stem. Battery is located inside the base, with 5 hours of battery life at peak performance.



- [Download](#) Assembly Instructions
- [Download](#) Photometric Data
- [Download](#) 2D
- [Download](#) 3D
- [Download](#) Energy label

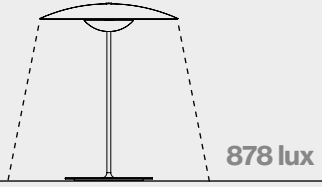
Range



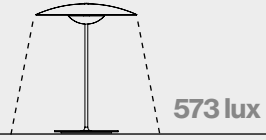
Wood is a great ally of cozy lighting. It is a material that is hard to mold, a challenge that the Ginger collection neatly resolves. The combination of sheets of wood and paper pressed together under high pressure achieves a laminate that appears almost entirely flat.

How Ginger illuminates

Ginger M



Ginger S



Ginger 20 M

