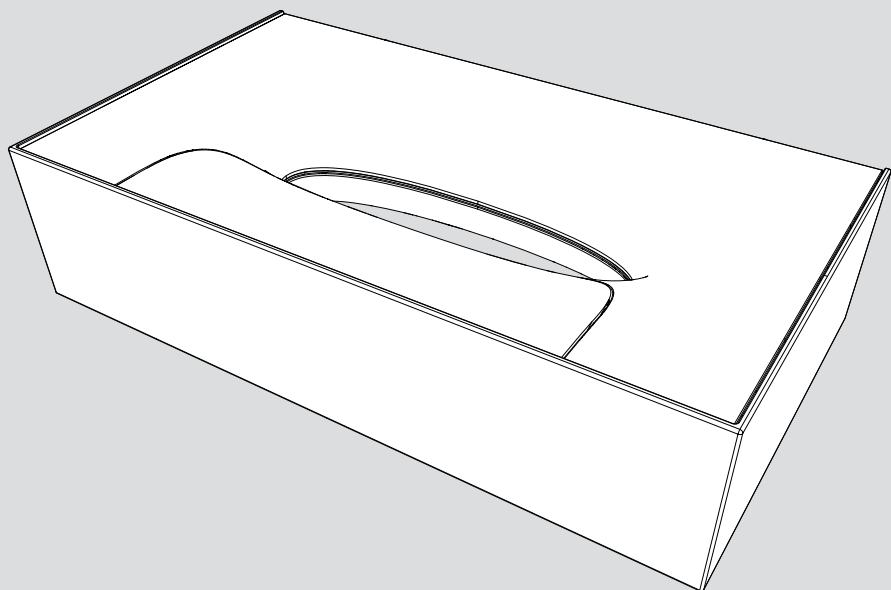


Artemide®

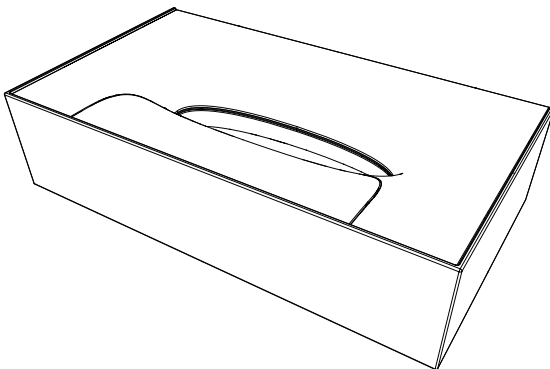
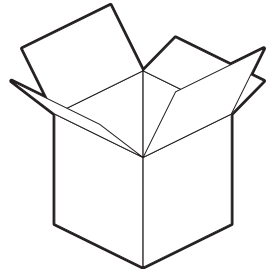
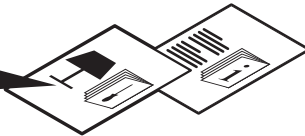
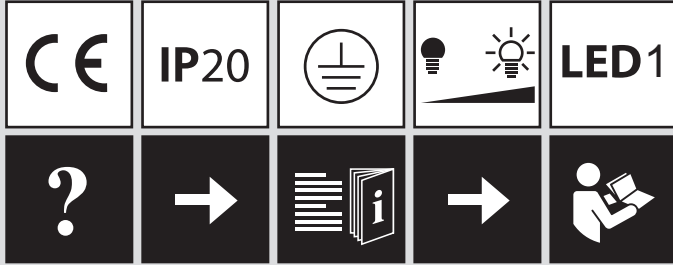
Melete

design
Pio & Tito Toso

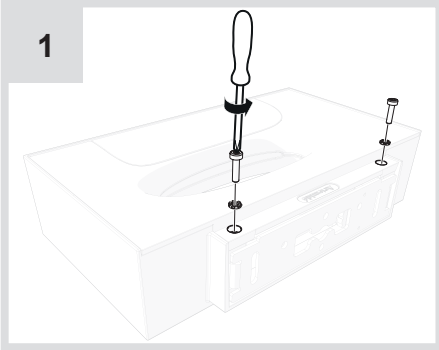




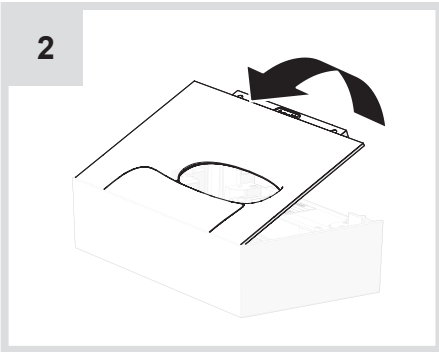
i



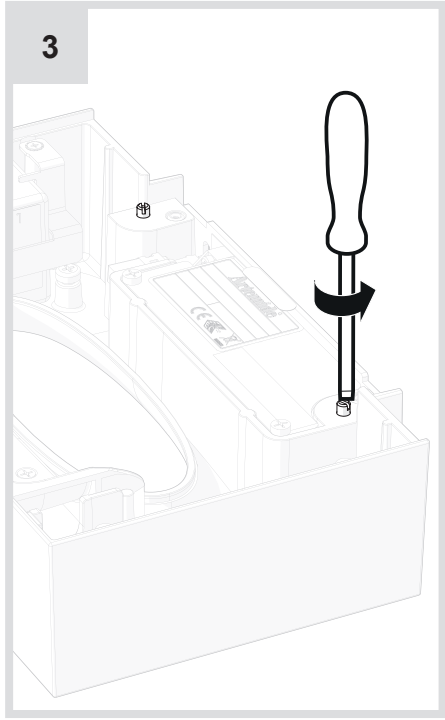
1



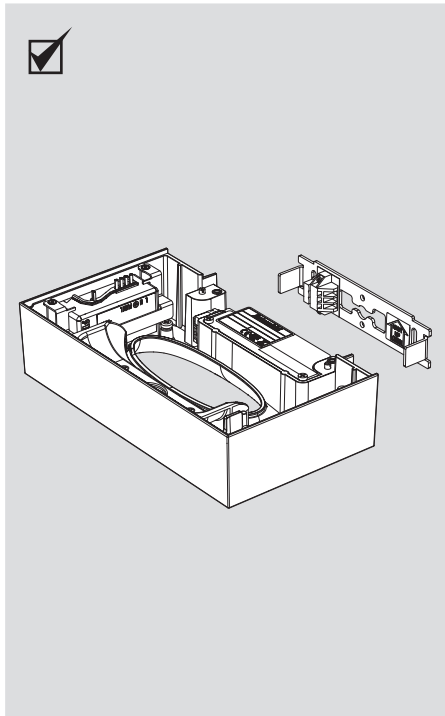
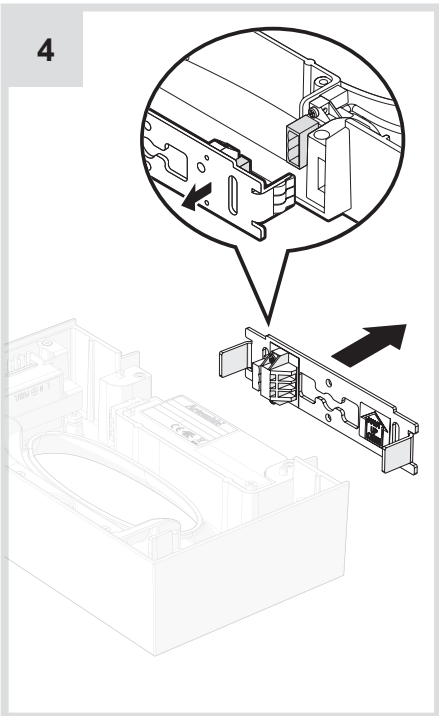
2

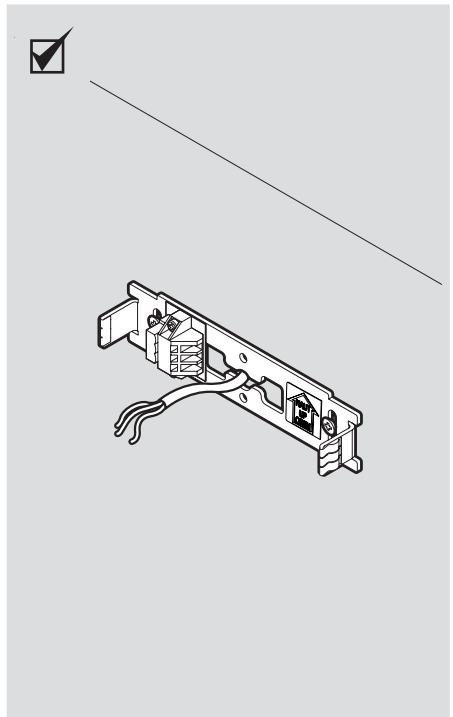
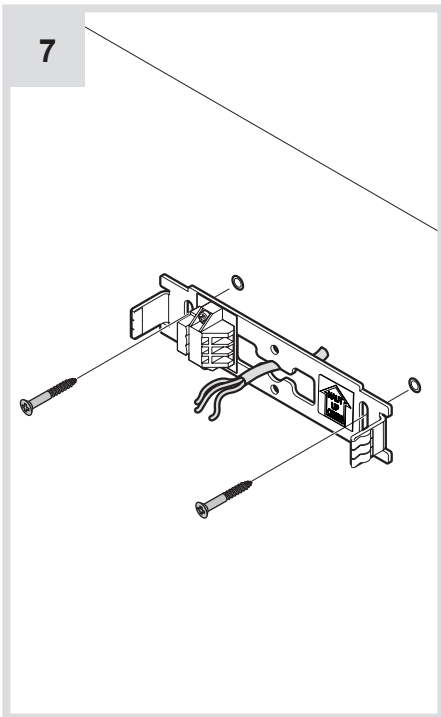
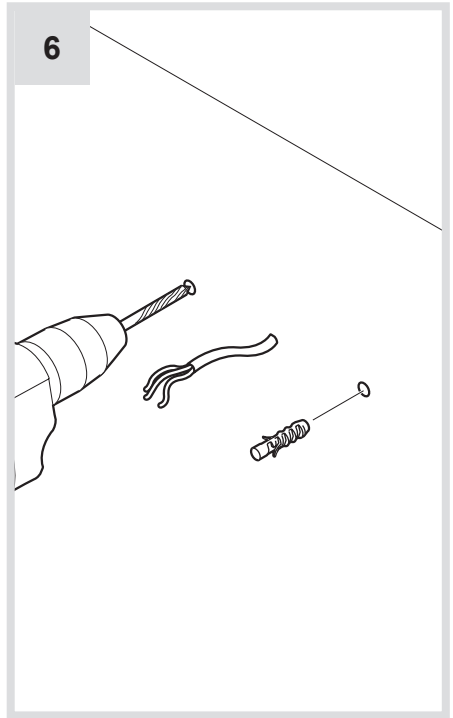
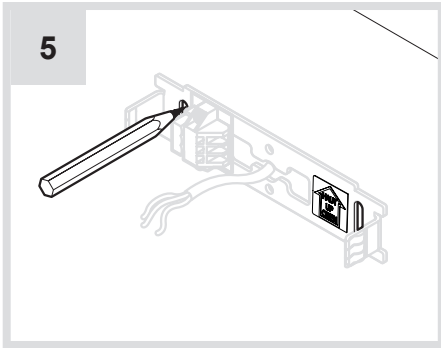
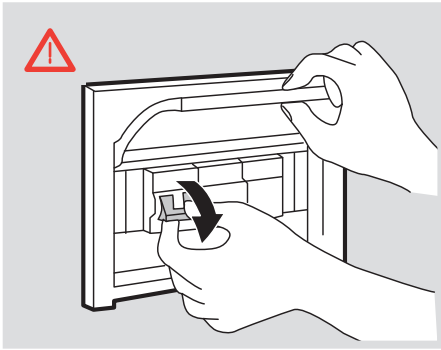


3

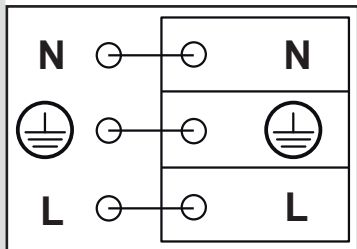
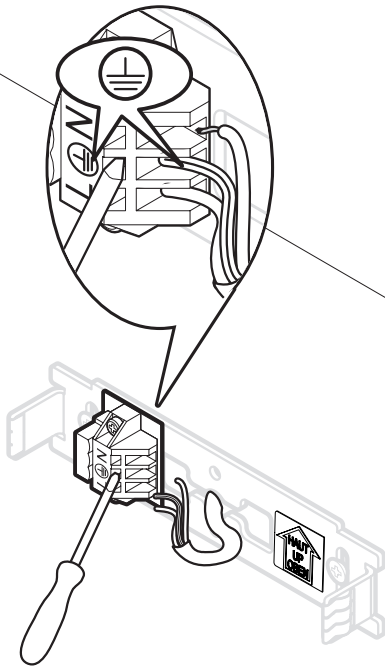


4

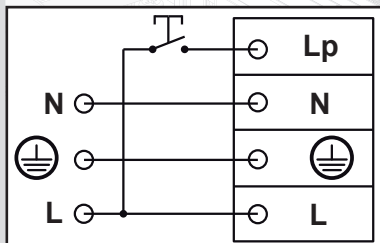
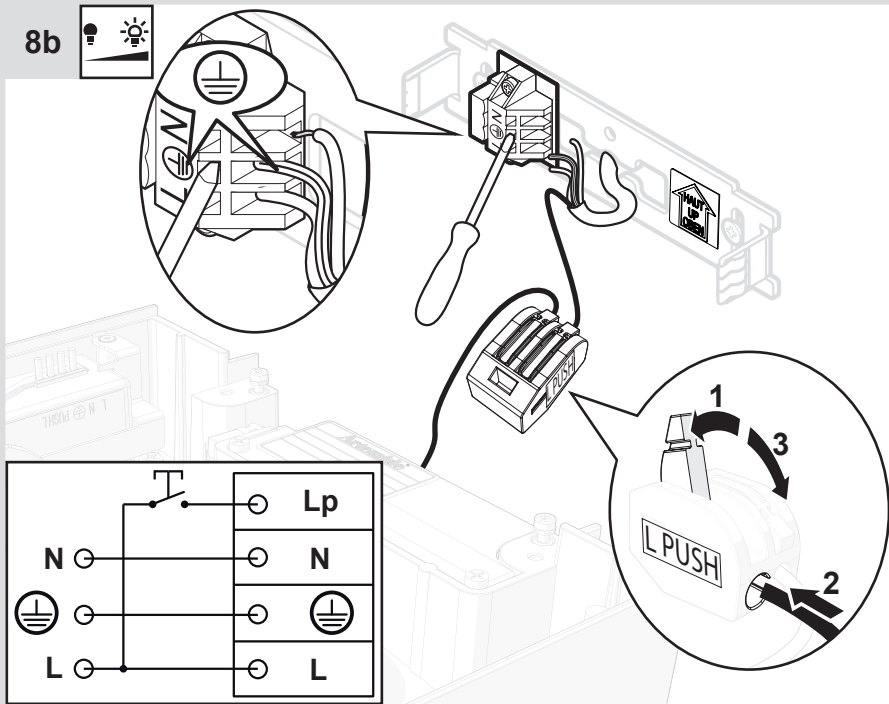


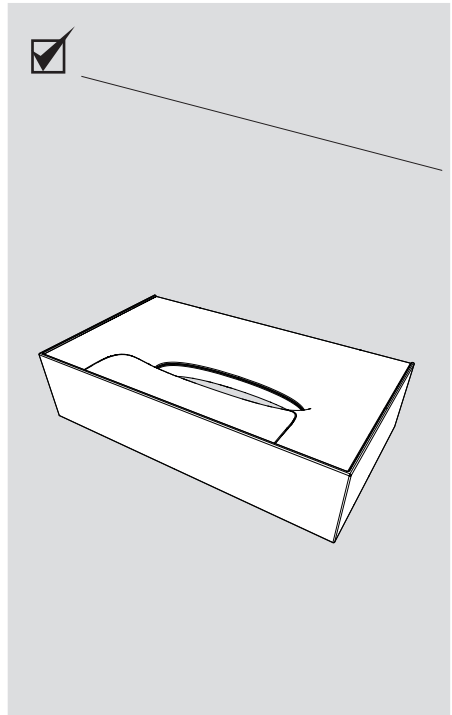
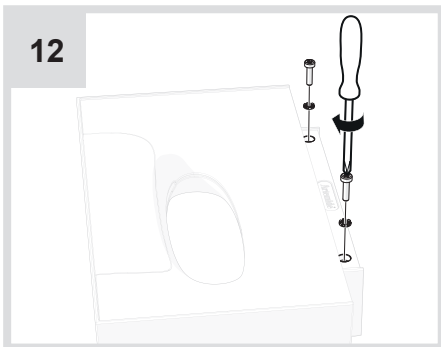
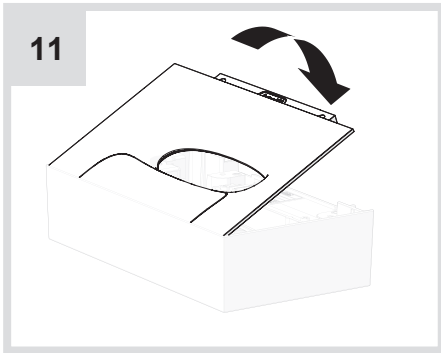
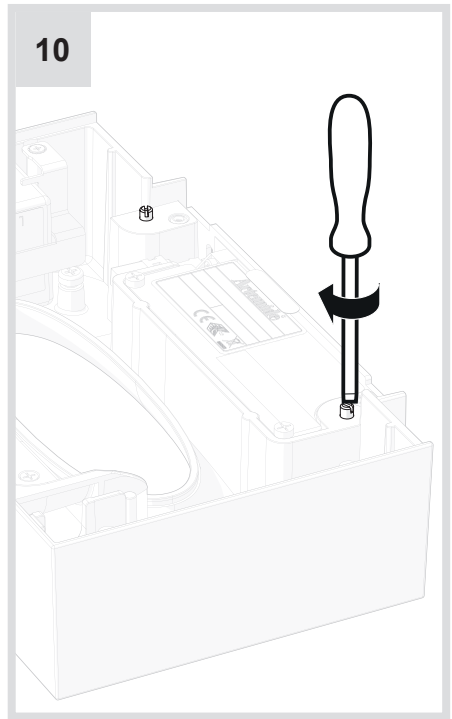
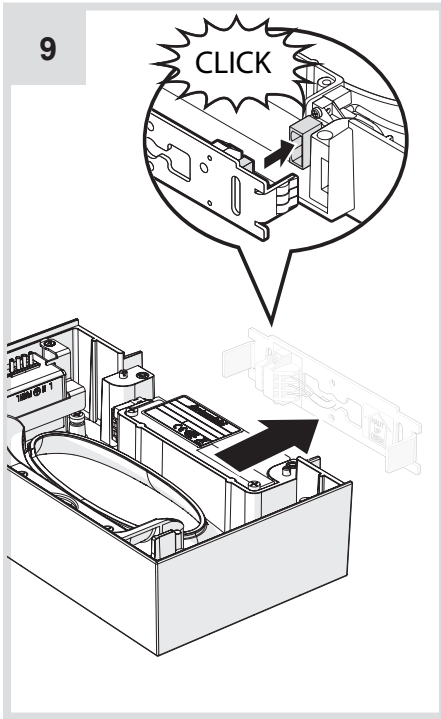


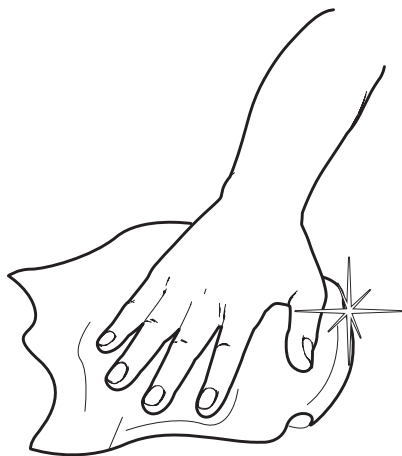
8a



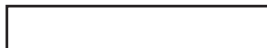
8b







Artemide®



Artemide

via Bergamo, 18
20010 Pregnana M.se (MI)
ITALIA

tel. +39 02 935 181
fax +39 02 935 90 254
fax +39 02 935 90 496

www.artemide.com

VAT IT00846890150

cod. Y513000359