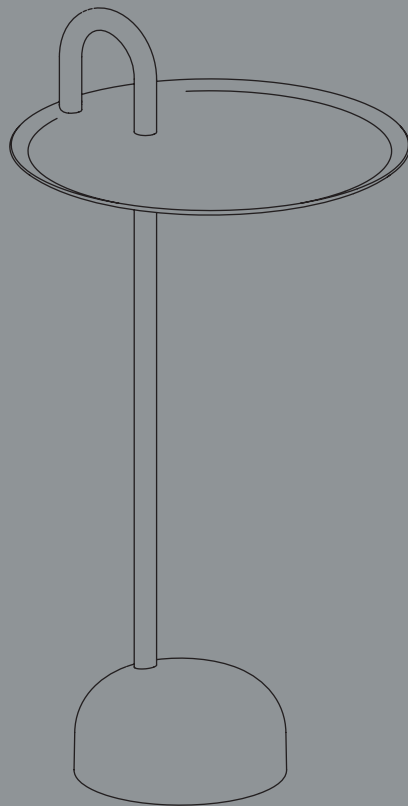


INSTRUCTION MANUAL

BOWLER TABLE



By *Shane Schneck*

HAY

INTRODUCTION

Shane Schneck's Bowler Table is a compact side table that is ideal for small spaces. The single tube that extends upwards creates a defined profile, which doubles as a functional handle too. The stem, handle and tray are made in powder coated steel, with a solid granite base that provides stability, yet it is still lightweight enough to move around. Bowler comes flat packed and is easy to assemble, making it suitable for all kinds of domestic and corporate environments.

CARE AND MAINTENANCE

CAUTION

With a little care you can prolong the life of your furniture. Follow the instructions for the materials of your specific product to make sure that it stays in the best shape for as long as possible.

The information below is only intended as a general guideline. For more information on how to remove specific stains, please enquire where you bought the furniture.

- Always remove stains quickly before they can do any permanent damage to the furniture.
- When you move the table, make sure you lift it rather than pulling or pushing it to avoid damaging the floor, legs and mountings.
- Use coasters under damp, hot or coloured objects to avoid permanent stains.
- Be careful not to scratch or damage the surface with sharp objects.
- Avoid improper use such as putting your feet on the table or standing on it.

CARE AND MAINTENANCE

POWDER COATED STEEL

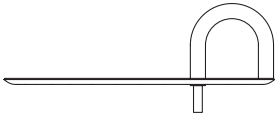
- Wipe with a clean cloth wrung in water or in a solution of water and a neutral detergent. Remove soap residue immediately using a clean, dry cloth.
- Avoid using scouring cream or scouring pads, as they may scratch the surface.
- Do not use solvents as they may have an adverse effect on the coating.
- Never use acetic acid or citric acid.

- Never use vinegar, ammonia, acetic acid or citric acid or abrasive cleaners.
- To optimally maintain the naturally beautiful appearance of the granite, we recommend you regularly treat the furniture's surface with stone soap or soap flakes. With regular treatment, the surface will gradually gain a higher resistance to stains and acquire a silkier, more matte look.

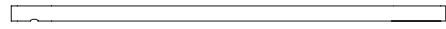
GRANITE

- As granite is a natural material, each stone has unique colours, patterns and textures. Therefore, the surface's colour and finish may vary slightly from product to product.
- Wipe with a clean cloth wrung in water or in a solution of water and a neutral detergent, soap flakes or stone soap. Remove soap residue immediately using a clean, dry cloth.
- Using excessive cleaning products can leave a film and cause streaks.
- Avoid using scouring cream or scouring pads, as they may scratch the surface.

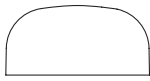
PARTS



Tray (A)



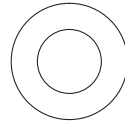
Tube (B)



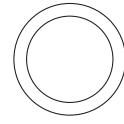
Granite base (C)



Spring washer (D)



Washer (E)



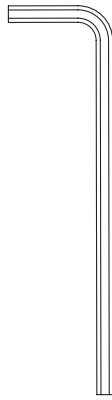
Plastic washer (F)



Screw (G)



Screw (H)



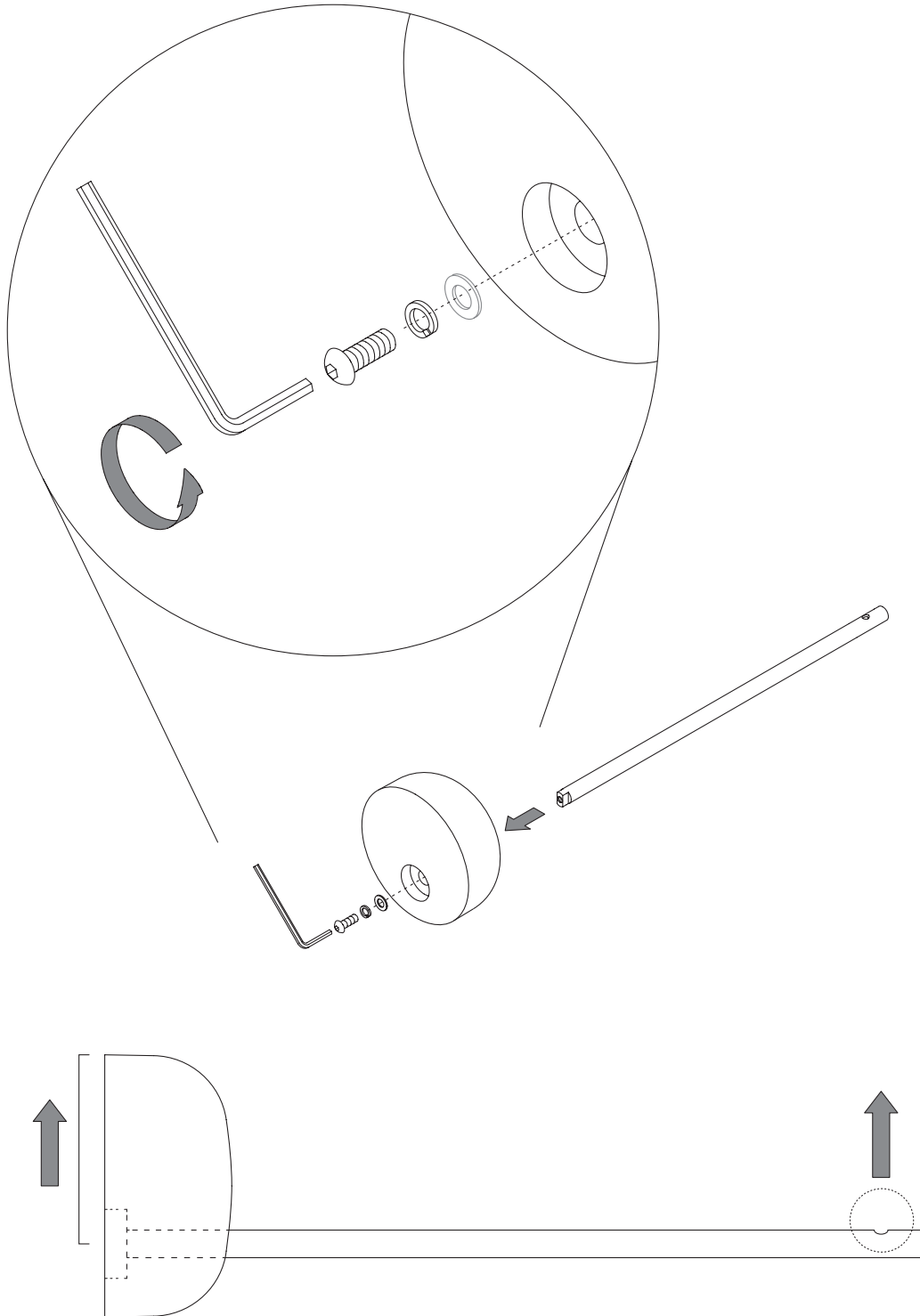
Allen Key Large (I)



Allen Key Small (J)

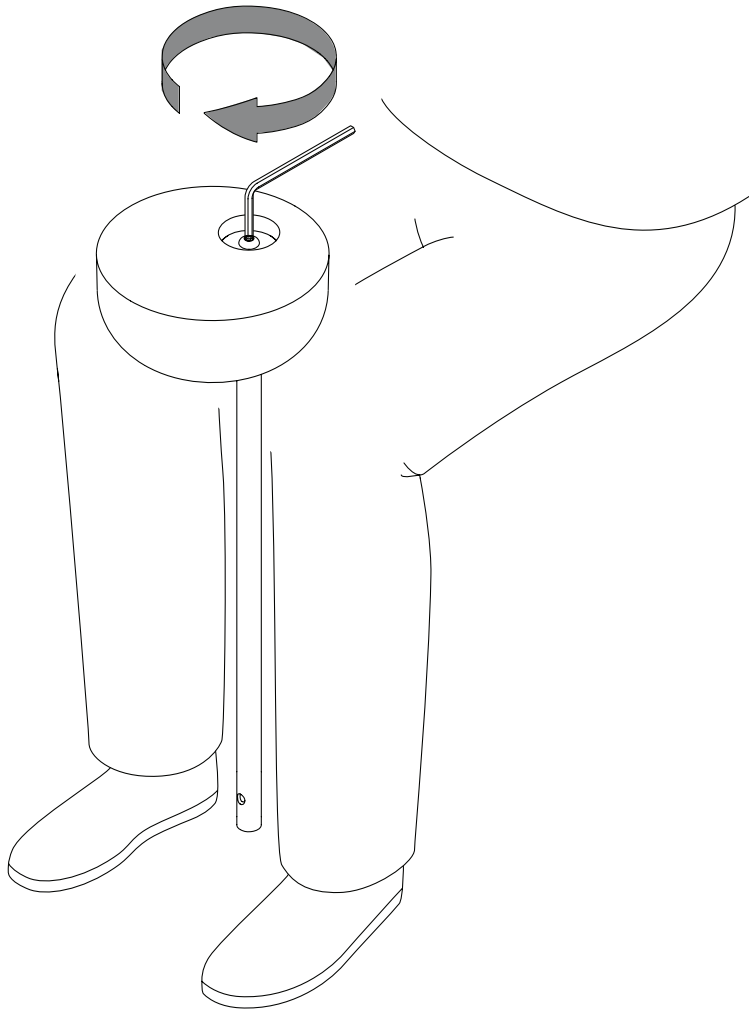
1.

Insert the tube (B) into the granite base (C). Make sure the small hole on top of the tube is facing the long side of the granite base. Insert the screw (H), spring washer (D) and washer (E) from the bottom, and secure them with the large Allen key (I). Wait until the next step before fully tightening the screw.



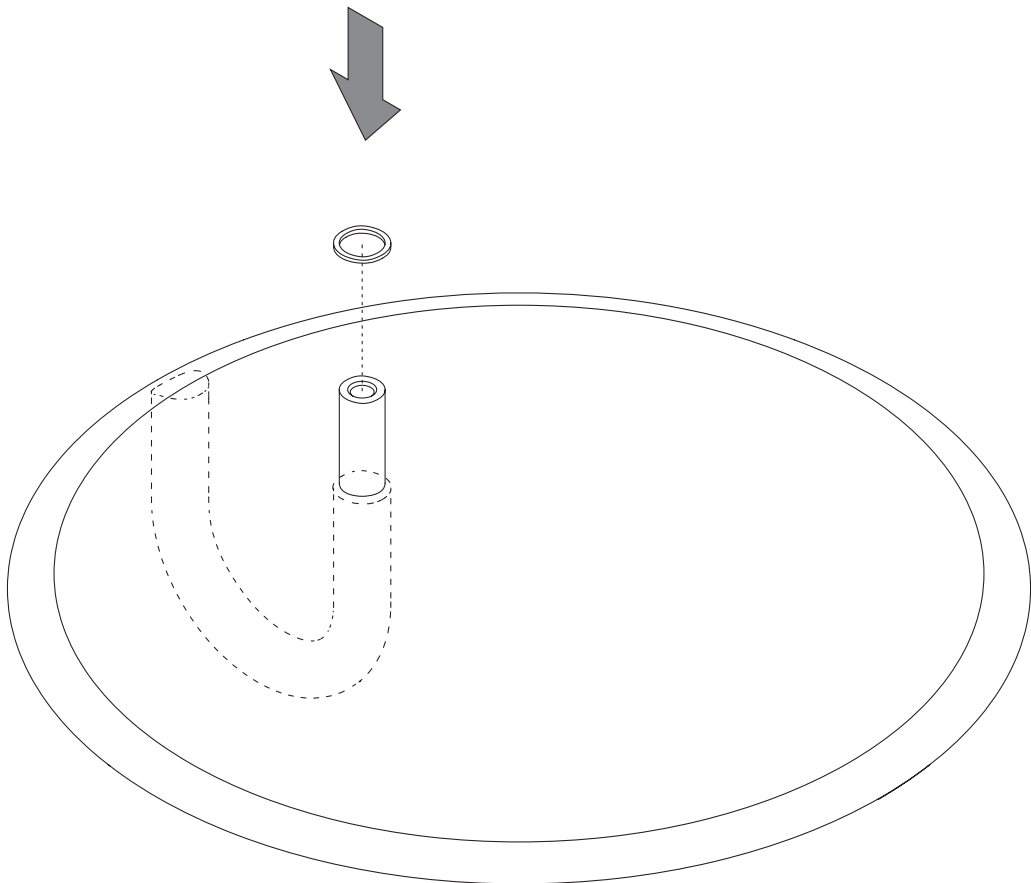
2.

To fully fasten the screw, turn the base upside down in your lap to get a good grip, and then tighten the screw completely.



3.

Mount the plastic washer (F) to the pin on the bottom of the tray (A).



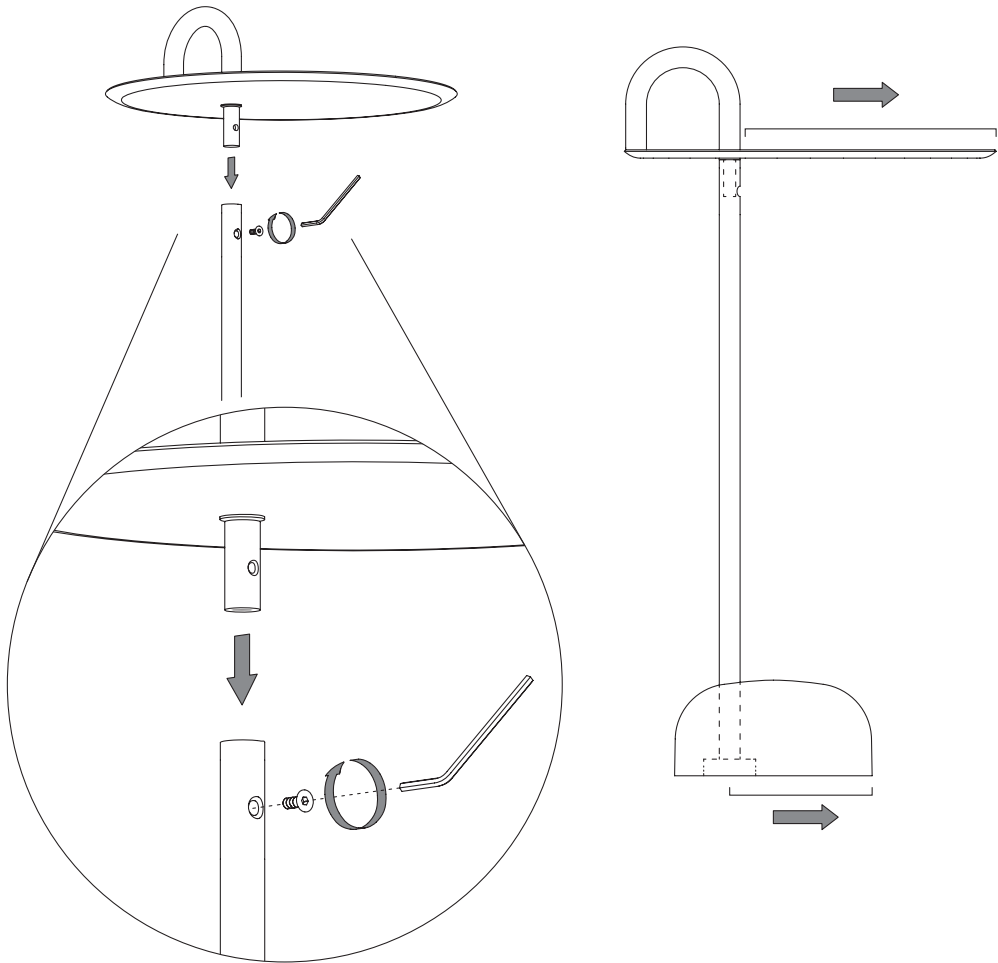
4.

Insert the tray's pin (A) into the tube (B).

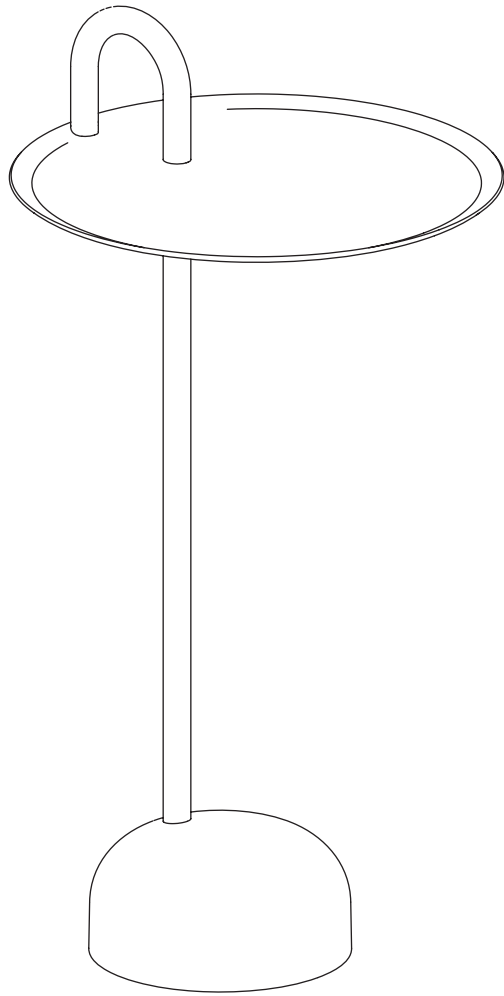
Secure the connection by fastening the screw (G) with the small Allen key (J).

Make sure the long side of the tray is facing the long part of the base.

Re-tighten both bottom and top screws after the table has been fully assembled.



5.



Havnen 1 8700 Horsens Denmark
+45 4282 0282 / hay@hay.com

HAY

ITEM NO. 706377

