

# Contents

<b>1 Instructions</b>	<b>18</b>
1.1 General safety instructions	18
1.2 Manufacturer's liability	19
1.3 Appliance purpose	19
1.4 Disposal	19
1.5 Identification plate	20
1.6 This instruction manual	20
1.7 How to read the instruction manual	20
<b>2 Description</b>	<b>21</b>
2.1 General description	21
2.2 Other parts	22
2.3 Available accessories	22
<b>3 Use</b>	<b>23</b>
3.1 Instructions	23
3.2 Preliminary operations	23
3.3 First use	23
3.4 Accessing the refrigerator compartment	23
3.5 Using the accessories	24
3.6 Using the refrigerator compartment	25
3.7 Storage advice	25
3.8 Noises during operation	26
3.9 What to do if...	26
<b>4 Cleaning and maintenance</b>	<b>27</b>
4.1 Instructions	27
4.2 Cleaning the appliance	27
4.3 Defrosting	27
<b>5 Installation</b>	<b>28</b>
5.1 Electrical connection	28
5.2 Positioning	28

We advise you to read this manual carefully, which contains all the instructions for maintaining the appliance's aesthetic and functional qualities.

For further information about the product visit: [www.smeg.com](http://www.smeg.com)



# Instructions

## 1 Instructions

### 1.1 General safety instructions

#### Risk of personal injury

- Never touch the heating elements during use.
- Keep children under eight years of age at a safe distance if they are not constantly supervised.
- Children must never play with the appliance.
- Do not allow children to play or hide inside the appliance.
- The appliance must never be cleaned and maintained by unsupervised children.
- Do not store products which contain inflammable or explosive gases inside the appliance.
- Do not insert pointed metal objects (cutlery or utensils) into the slots in the appliance.
- Have qualified personnel carry out installation and assistance interventions according to the standards in force.
- Do not modify this appliance.

- Do not try to repair the appliance yourself or without the intervention of a qualified technician.
- If the power supply cable is damaged, contact technical support immediately and they will replace it.

#### Risk of damaging the appliance

- Never rest sharp metallic objects such as knives, forks, spoons and lids on the appliance during use.
- Do not use abrasive or corrosive detergents on glass parts (e.g. powder products, stain removers and metallic sponges).
- Do not lean or sit on the appliance.
- Do not use steam jets to clean the appliance.
- Do not obstruct ventilation openings and heat dispersal slots.
- Do not use the appliance to cool rooms for any reason.
- Always disconnect the appliance from the mains in the event of a breakdown or maintenance, or during cleaning.
- The appliance contains a small quantity of isobutane (R600a), make sure not to damage the cooling circuit during transport, installation and cleaning.
- In the event of damage to the cooling circuit, avoid the use of naked flames and ventilate the area properly.



## 1.2 Manufacturer's liability

The manufacturer declines all liability for damage to persons or property caused by:

- all liability for personal injury or property damage caused by;
- non-observance of the instruction manual provisions;
- tampering with any part of the appliance;
- use of non-genuine spare parts.

## 1.3 Appliance purpose

- Appliance with moderate temperature for preserving special drinks or food at a temperature higher than the one in the compartment for storing fresh food. Every other use is considered improper.
- This appliance may be used by children aged at least 8 and by people of reduced physical and mental capacity, or lacking in experience in the use of electrical appliances, as long as they are supervised or instructed by adults who are responsible for their safety.
- The appliance is not designed to operate with external timers or with remote-control systems.

## 1.4 Disposal



This appliance must be disposed of separately from other waste (Directives 2002/95/EC, 2002/96/EC, 2003/108/EC). The appliance does not contain substances in quantities sufficient to be considered hazardous to health and the environment, in accordance with current European directives.

To dispose of the appliance:

- Cut the power supply cable and remove it along with the plug.



**Power voltage**

**Danger of electrocution**

- Disconnect the main power supply.
- Disconnect the power supply cable from the electrical system.
- Hand over the appliance to the appropriate selective collection centres for electrical and electronic equipment waste, or deliver it back to the retailer when purchasing an equivalent product, on a one for one basis.



# Instructions

Our appliances are packed in non-polluting and recyclable materials.

- Hand over the packing materials to the appropriate selective collection centres.



## Plastic packaging Danger of suffocation

- Do not leave the packaging or any part of it unattended.
- Do not let children play with the packaging plastic bags.

## 1.5 Identification plate

The identification plate bears the technical data, serial number and brand name of the appliance. Do not remove the identification plate for any reason.

## 1.6 This instruction manual

This instruction manual is an integral part of the appliance and must therefore be kept in its entirety and in an accessible place for the whole working life of the appliance.

Read this instruction manual carefully before using the appliance.

## 1.7 How to read the instruction manual

This instruction manual uses the following reading conventions:

### Instructions



General information on this instruction manual, information about and final disposal.

### Description



Description of the appliance and its accessories.

### Use



Information on the use of the appliance and its accessories.

### Cleaning and maintenance



Information for proper cleaning and maintenance of the appliance.

### Installation



Information for the qualified technician: installation, operation and inspection.



Safety instructions



Information



Advice

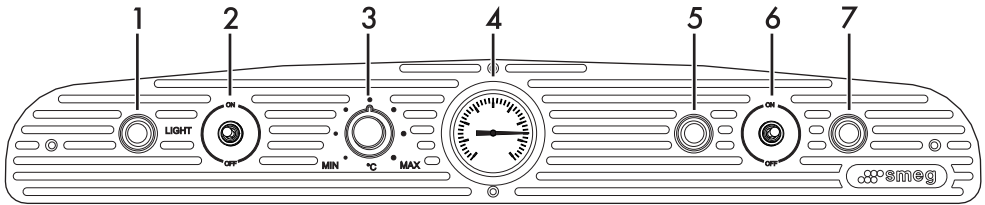
1. Use instruction sequence.

- Single use instruction.



## 2 Description

### 2.1 General description



#### 1 Yellow indicator light

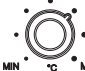
When ON, this indicates that the **light switch** is **ON** and all the perimeter lights are on.

#### 2 Light switch (ON/OFF)

Use this switch to switch on the appliance perimeter lights. When the switch is **ON**, the **yellow indicator light** comes on.

#### 3 Thermostat knob

Adjust the thermostat knob from **MIN** to **MAX** to lower the temperature inside the refrigerator compartment. Use this knob to set the temperature inside the refrigerator, as follows:

- **°C**: In this position, the knob indicates the appliance is turned **OFF**.
- **MIN**: In this position, the knob indicates the appliance is on **MINIMUM**.
-  In this position, the knob indicates the general **optimum temperature** at which to adjust the appliance preferably.
- **MAX**: In this position, the knob indicates the appliance is on **MAXIMUM**.



To avoid wasting electricity and prevent food from freezing, do not set the thermostat knob to **MAX** for prolonged periods of time.

#### 4 Thermometer

Indicates the temperature currently inside the appliance.

#### 5 Green indicator light

When ON, this indicates that the **ON/OFF switch** is **ON** and that the appliance is powered and ready to be switched on.

#### 6 ON/OFF switch

Use this switch to power the appliance.

- When the switch is **ON**, the **green indicator light** comes on.
- When the switch is **OFF**, the **red indicator light** comes on.

#### 7 Red indicator light

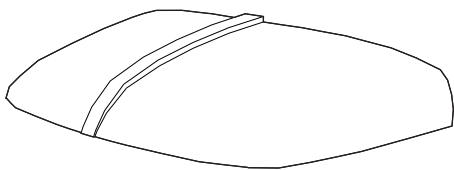
When ON, this indicates that the **ON/OFF switch** is **OFF** and that the appliance is not powered and cannot be switched on.



## Description

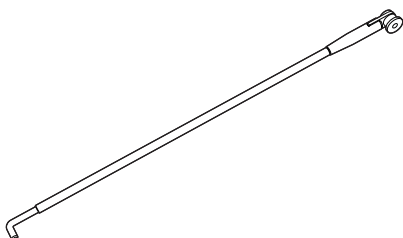
### 2.2 Other parts

#### Lid



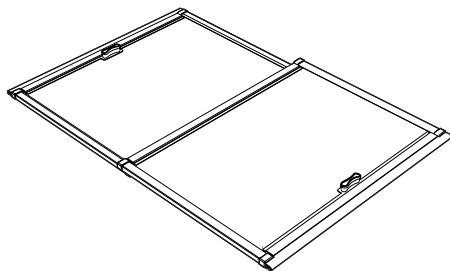
It is only fitted for styling purposes, but it can be raised to move beverages inside the refrigerator compartment.

#### Lid rod



Useful to keep the appliance lid open.

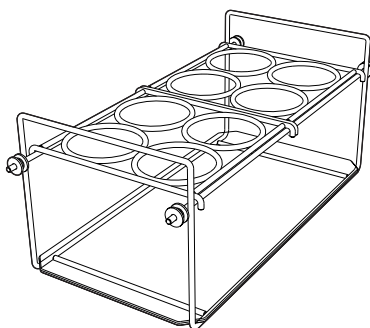
#### Sliding doors



Useful to keep beverages as cool as possible.

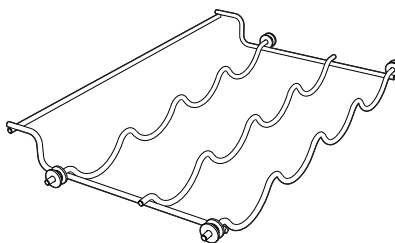
### 2.3 Available accessories

#### Beer rack



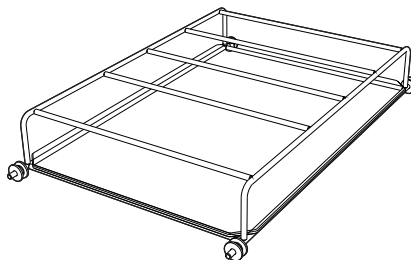
Useful to position beer bottles and small plastic bottles.

#### Bottle rack



Useful to store glass bottles.

#### Pack rack



Useful to store fruit juices, milk cartons and cans.



## 3 Use

### 3.1 Instructions



**Improper use  
Risk of damage  
to the appliance**

- Do not use sharp objects when removing ice and frost to avoid damaging the appliance's walls.
- Do not sit or lean on the door or any open drawers.
- Do not touch the heating elements on the outside of the appliance.
- Do not store inflammable, explosive or volatile substances.
- Organic compounds, acids and essential oils can corrode the seals and plastic surfaces if left in contact with them for extended periods.
- Bottles containing strong alcoholic drinks must be tightly closed and stored vertically.

### 3.2 Preliminary operations

1. Remove any protective film from the outside or inside of the appliance, including accessories.
2. Remove any labels (apart from the technical data plate) from the accessories and shelves.
3. Remove and wash all the appliance accessories.

### 3.3 First use

1. Plug the appliance into a wall socket.
2. Set the **ON/OFF switch** to **ON**.
3. Adjust the **thermostat knob** from **MIN** to **MAX** to set the desired temperature.

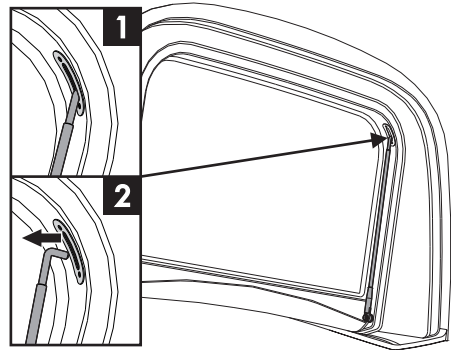


The higher the number set, the lower the refrigerator temperature will be.

### 3.4 Accessing the refrigerator compartment

Raise the appliance lid to access the refrigerator compartment. Inside, you will find a rod on the right-hand side to keep it raised while you move beverages around inside the refrigerator compartment.

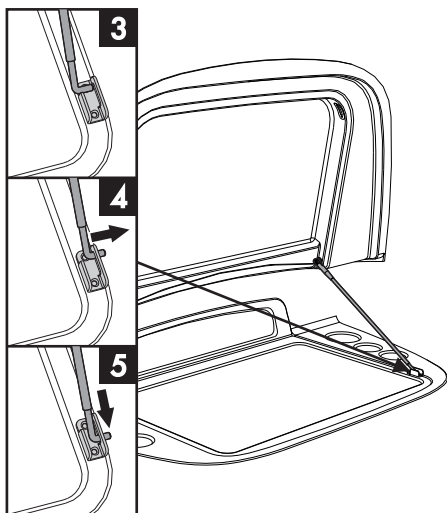
1. Raise the lid and grab the top of the rod seated in the slot.
2. Move the rod a few centimetres to the left to release the tip of the slot.





## Use

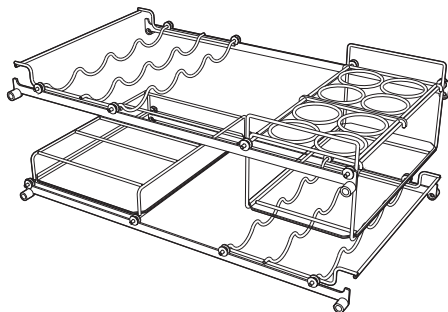
3. With the lid raised, turn the rod downwards and place the tip onto the metal plate situated to the right of the sliding doors.
4. Move the tip of the rod towards the right into the slot in the plate.
5. Slide the tip of the rod all the way to the end of the slot in the plate.



### 3.5 Using the accessories

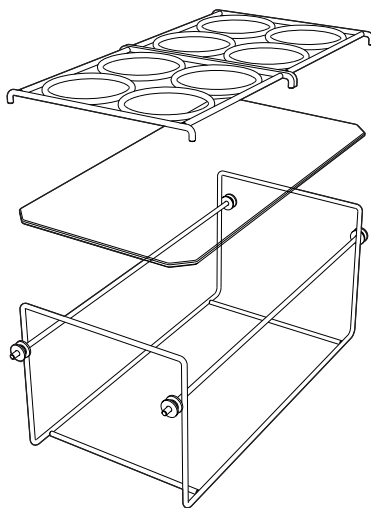
#### Layout of accessories

The accessories can be arranged along the purpose-designed guides inside the refrigerator compartment.

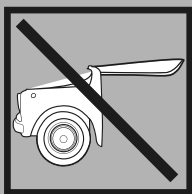


#### Beer rack assembly

1. Place the glass shelf on the base of the beer rack.
2. Place the 2 partitions at the rear of the beer rack.



**NOTE:** To avoid damage to the surface of the appliance, do not overturn the bonnet and do not place other objects on it.

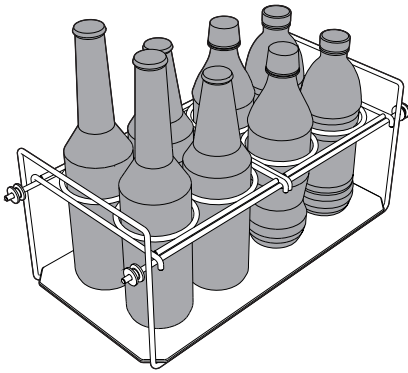


Improper use may cause damage to the appliance.

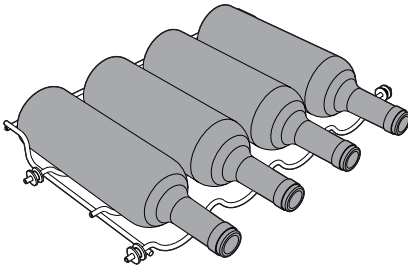




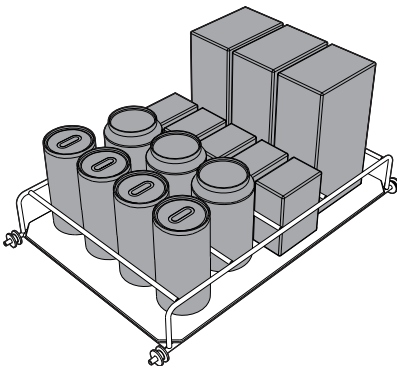
## Sample uses



Beer rack



Bottle rack



Pack rack

## 3.6 Using the refrigerator compartment

### Arranging beverages

Arrange the beverages, making sure they are sealed tight. This precaution is necessary:

- to preserve the aroma and freshness of the beverages;
- to avoid any contamination of beverages with odours or tastes from other beverages;
- to prevent the humidity level inside the refrigerator from becoming too high, which in some operating conditions (rise in ambient temperature and humidity, more frequent opening of the door) might cause condensation to form on the shelves.



Always allow hot drinks to cool to room temperature before putting them in the refrigerator compartment.

## 3.7 Storage advice

- Always check the expiry date on the food packaging.
- Remove perishable products from the appliance if you are going away for a long period.
- Changes in the environmental conditions (temperature and humidity) and the frequency with which the door is opened can affect the operating temperature of the refrigerator.
- Reduce the number of times that the doors are opened and the length of time they remain open to prevent the compartments from heating up excessively.



## 3.8 Noises during operation

The refrigerator compartment is cooled by means of a compression system. In order to maintain the preset temperature inside the refrigerator compartment, the compressor comes into operation in response to the level of cooling required, and may operate continuously if necessary. When the compressor starts to function, it creates a buzzing noise which generally diminishes in intensity after a few minutes.

Another normal operating noise of the appliance is a gurgling due to the coolant flowing through the pipes in the circuit. This noise is normal and does not indicate an appliance malfunction. If it becomes too loud, this may mean that there are other causes. Checks must then be made to ensure that:

- the refrigerator is properly levelled on the floor and does not vibrate when the compressor is in operation: if this is not the case, adjust the feet supplied with the appliance;
- Bottles and boxes are stable and not touching each other: otherwise, the vibration resulting from the compressor's operation could cause a certain amount of noise;
- Do not place the refrigerator in such a way that it is in contact with furniture or other household appliances.

## 3.9 What to do if...

The appliance does not work:

- Make sure that the appliance is plugged in and that the main switch is turned on.

The compressor starts to function too often or functions continuously:

- The room temperature is too high.
- The sliding doors are being opened too often or for too long.
- The sliding doors do not seal shut when closed.
- Check that the back of the refrigerator is properly ventilated and that the condenser is not too dirty.

Excessive ice or condensation has built up inside the refrigerator compartment:

- The sliding doors are being opened too often or for too long.
- Hot beverages have been placed inside the refrigerator compartment.
- The thermostat is set at a too low temperature.

The refrigerator compartment is not sufficiently cold:

- The thermostat is set at a too high temperature.
- The sliding doors are being opened too often or for too long.
- The sliding doors do not seal shut when closed.
- The room temperature is too high.



## 4 Cleaning and maintenance

### 4.1 Instructions



#### Improper use Risk of damage to surfaces

- Do not use steam jets to clean the appliance.
- Do not use cleaning products containing chlorine, ammonia or bleach on steel parts or parts with metallic finishes on the surface (e.g. anodising, nickel- or chromium-plating).
- Do not use abrasive or corrosive detergents on glass parts (e.g. powder products, stain removers and metallic sponges).
- Do not use rough or abrasive materials or sharp metal scrapers.



#### Power voltage Danger of electrocution

- Turn off the appliance and unplug it from the mains before cleaning.
- Do not pull the cable to to unplug the appliance.

### 4.2 Cleaning the appliance

A special antibacterial protection on the appliance's interior walls prevents bacterial growth and keeps them clean. They must nevertheless be cleaned regularly in order to keep them in good condition.

#### Cleaning the outside of the appliance

- The appliance may be cleaned with water or alcohol-based liquid detergents (e.g. window cleaning products).
- Avoid aggressive detergents and rough sponges to avoid damaging the surfaces.

#### Cleaning the inside of the appliance

- Clean the interior with diluted liquid detergent or with warm water with a little vinegar added.
- Remove any ice thicker than 3-5 mm. Do not use sharp objects or spray products.

### 4.3 Defrosting

#### Defrosting the refrigerator compartment

The refrigerator compartment does not require defrosting, as any ice which forms on the refrigeration plate will melt when the compressor is idle.

If ice thicker than 3-5 mm should form on the inside walls of the refrigerator compartment, turn off the appliance and defrost it manually.



# Installation

## 5 Installation

### 5.1 Electrical connection



Power voltage  
**Danger of electrocution**

- The appliance must be earthed in compliance with electrical system safety standards.
- Do not pull the cable unplug the appliance.

### General information

- Check the mains characteristics against the data indicated on the plate. The identification plate bearing the technical data, serial number and brand name is visibly positioned inside the appliance. Do not remove this plate for any reason.
- Make sure that the plug and socket are of the same type.
- Avoid using adapters and shunts as these could cause overheating and a risk of burns.
- The plug must always be accessible when the appliance is installed.
- If it is necessary to replace the power supply cable, **this must be performed by an authorised technician from Technical Support Service.**

### 5.2 Positioning



Heavy appliance  
**Danger of crush injuries**

- Position the appliance with the aid of a second person.
- Always handle the appliance with the lid down.

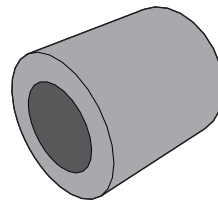


Improper use  
**Risk of damage to the appliance**

- The appliance must not be exposed to direct sunlight.
- Do not use the appliance outdoors.

### Spacers

To ensure that the condenser cools properly, the appliance must not be located too close to the wall. To prevent this, the appliance comes complete with two plastic spacers which are fitted on the metal casing behind the appliance.



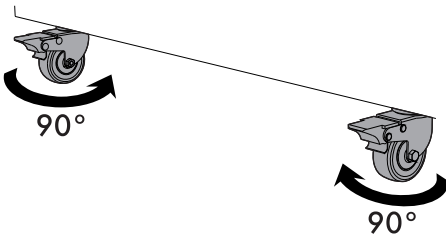


## How to handle the appliance

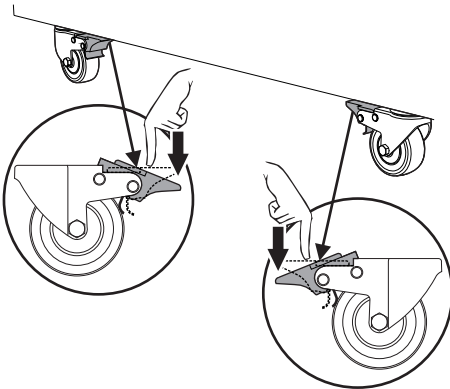
The appliance is supplied with four castors for easy handling and positioning. In any case, we recommend moving the appliance very carefully in order to avoid damaging the floor (especially in the case of wooden floors).

The front castors are fitted with a brake to lock the appliance in place:

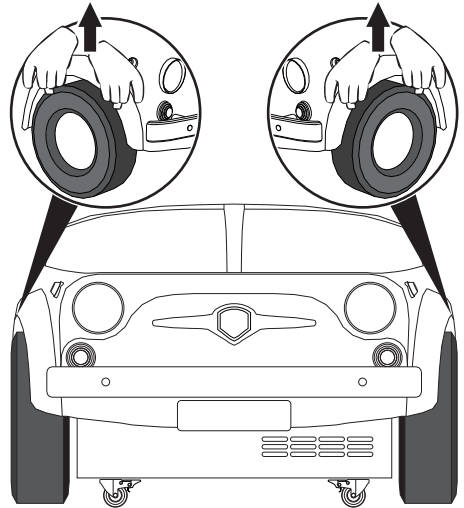
1. Turn the front castors by  $90^\circ$  with the brake levers turned to face the centre of the appliance.



2. Press the brakes on the front castors down until they click in place.



3. Should you need to lift the appliance, with the aid of a second person, grip the wheel arches using both hands.





# Installation

## Positioning

Place the appliance on a stable and level floor. We recommend moving the appliance very carefully in order to avoid damaging the floor (especially in the case of wooden floors).

## Choice of location

Always install the refrigerator in a dry place with satisfactory ventilation. Depending on its climate class (stated on the nameplate inside the refrigerator compartment), the appliance can be used in different temperature conditions.

- Install the appliance at least 3 cm away from electrical or gas cookers and at least 30 cm away from combustion heaters or radiators.
- The appliance must not be installed near heat sources. If this is not possible, suitable insulation must be used.

Class	Room temperature
SN (Subnormal)	+ 10°C to + 32°C
N (Normal)	+ 16°C to + 32°C
ST (Subtropical)	+ 18°C to + 38°C
T (Tropical)	+ 18°C to + 43°C