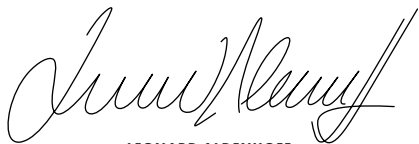


STEDGE

**ASSEMBLY INSTRUCTION
ADD-ON**

W0UD

STEDGE IS ALL ABOUT LIGHTNESS, PURISM AND A CLEAR STRUCTURE. THE SUBTLE DESIGN IS AN OPTICAL ILLUSION AS THE SOLID SHELVES SEEM TO HANG BY A THREAD. THE UNBALANCED APPEARANCE OF THE STEDGE SHELF MAKES IT A MINIMALISTIC STAGE FOR YOUR FAVOURITE OBJECTS. THE MINIMUM USAGE OF NEEDED PARTS IS USED TO GENERATE A STABLE AND MODERN SHELF. THE MAIN IDEA BEHIND STEDGE WAS TO CREATE A STORAGE PLACE FOR OBJECTS ON THE WALL TO GAIN MORE FREE SPACE ON THE FLOOR AREA.

A handwritten signature in black ink, appearing to read 'Leonard Aldenhoff', written in a fluid, cursive style.

LEONARD ALDENHOFF

ASSEMBLY INSTRUCTION

**PLEASE GO THROUGH THE FOLLOWING
STEPS CAREFULLY. RETAIN THIS MANUAL
FOR FUTURE REFERENCE TO ENSURE THAT
YOUR NEW ITEM IS CORRECTLY ASSEMBLED
IN CASE IT SHOULD BE DISASSEMBLED OR
MOVED. WE ARE NOT RESPONSIBLE FOR
ANY FAULTS OR DAMAGES CAUSED BY
NOT FOLLOWING THESE INSTRUCTIONS
CORRECTLY.**

A x 1



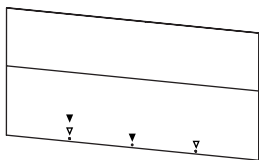
80cm = \triangle x 2



60cm = \blacktriangle x 2



B x 1



TEMPLATE

c x 1



D x 2



E x 2



F x 1



G x 1

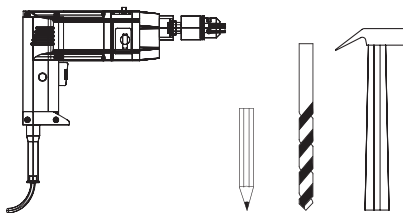


H x 2

TOOLS NEEDED

IMPORTANT!

USE WALL PLUGS AND DRILLS SUITABLE FOR YOUR WALL. BE CAREFUL WITH THIN/PLASTER/DRY WALLS AND SOLID CONCRETE WALLS. IN CASE OF DOUBT, WE RECOMMEND THAT YOU ASK A PROFESSIONAL.

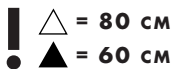
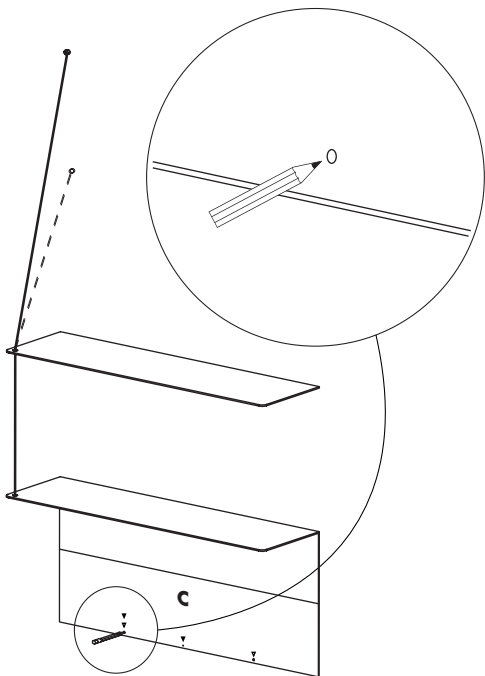


Ø 10-12 MM

Ø 4 MM

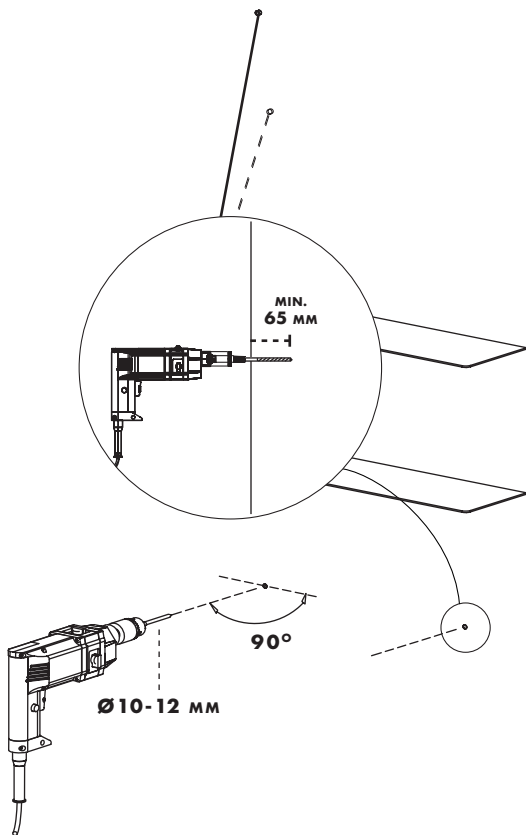
STEP 1

PLACE THE TEMPLATE RIGHT UNDER
THE BOTTOM SHELF AND MARK THE HOLES.



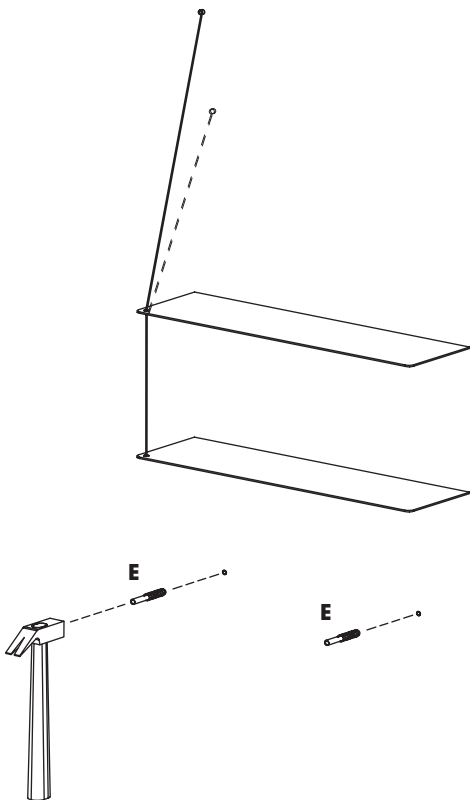
STEP 2

DRILL TWO HOLES IN THE WALL AT THE MARKED SPOTS.
THE DEPTH OF THE DRILLED HOLES SHOULD BE MIN. 6 CM



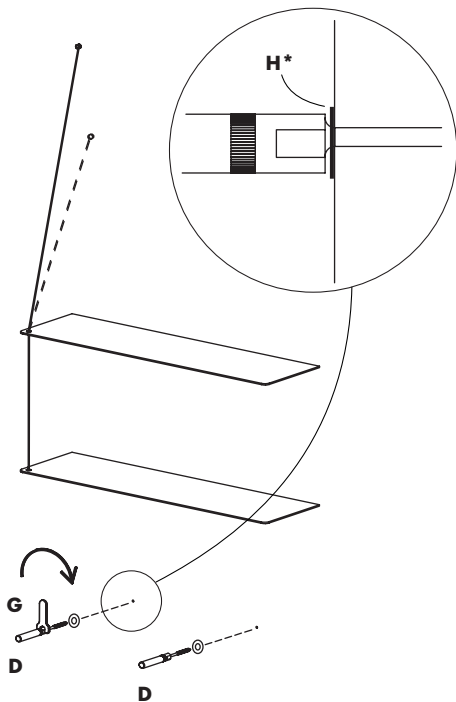
STEP 3

APPLY THE TWO WALL PLUGS.
THE WALL PLUGS INCLUDED ARE UNIVERSAL BUT WE RECOMMEND THAT YOU CHECK IF YOUR WALL SHOULD NEED SPECIFIC PLUGS, SUCH AS FOR THIN/PLASTER/DRY WALLS AND SOLID CONCRETE WALLS.



STEP 4

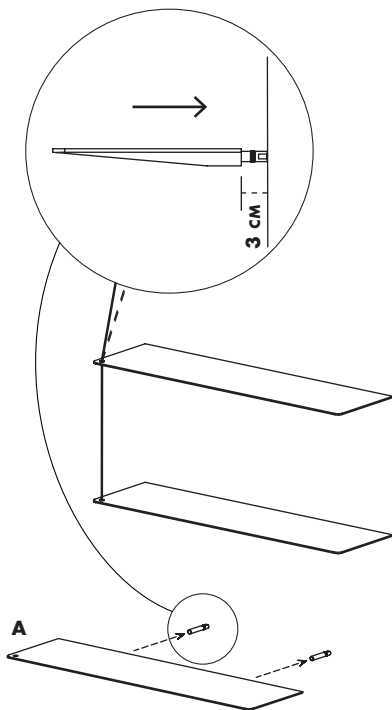
APPLY THE TWO SCREWS USING THE KEY.



*APPLY THE WASHERS (H) IN CASE YOU HAVE THIN WALLS THAT NEED EXTRA SUPPORT

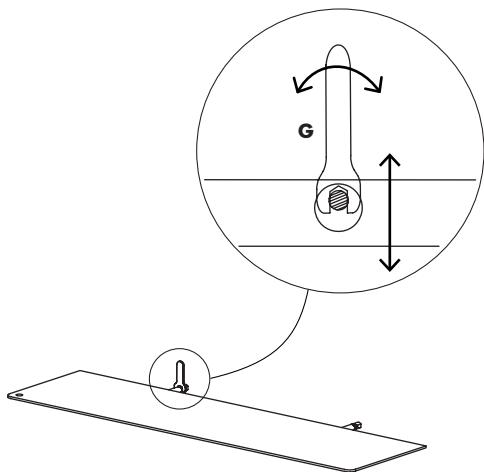
STEP 5

MOUNT THE SHELF ONTO THE SCREWS.
LEAVE 3 CM SPACE BETWEEN THE SHELF AND THE WALL.



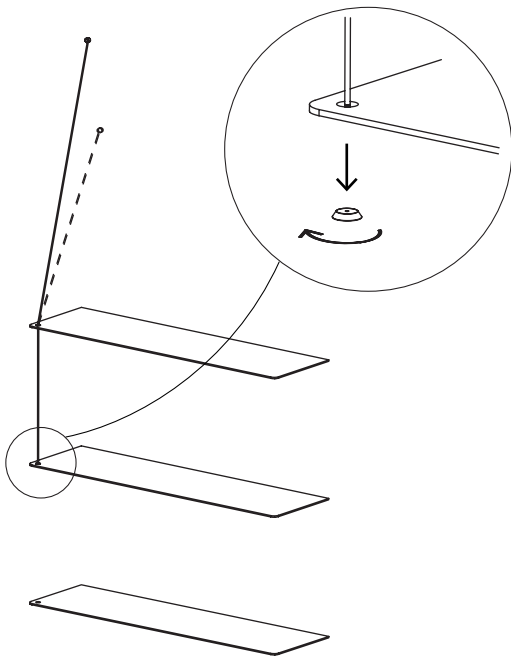
STEP 6

TURN THE SCREWS TO EITHER SIDE
TO ADJUST THE LEVEL OF THE SHELF.



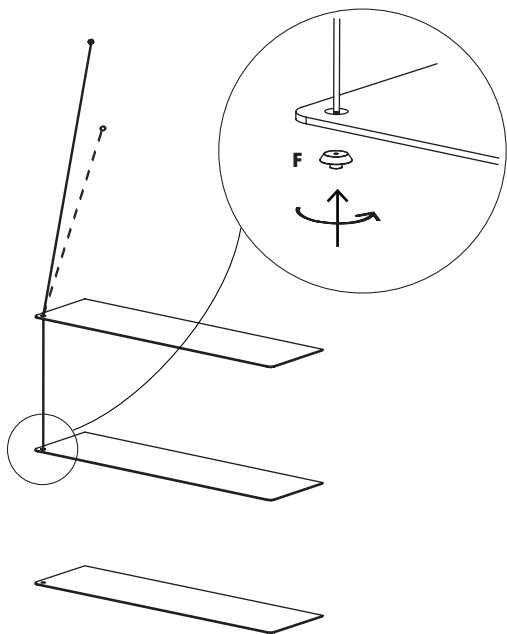
STEP 7

DISMOUNT THE BOTTOM METAL CAP AND SAVE IT FOR STEP 9.



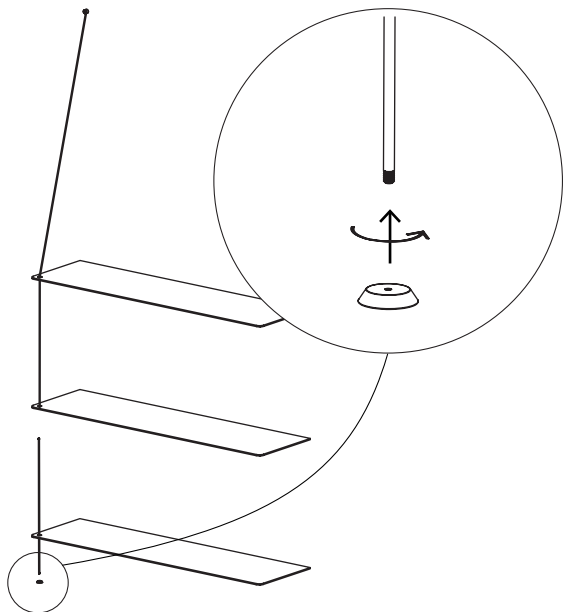
STEP 8

MOUNT THE CONNECTOR METAL CAP.



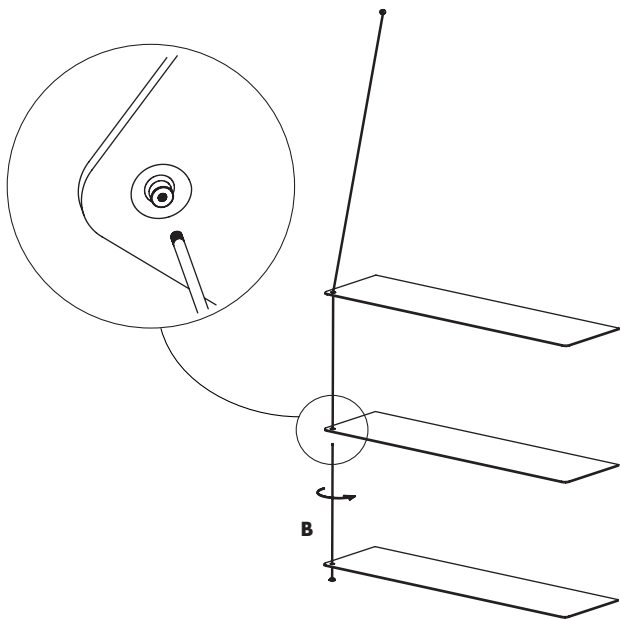
STEP 9

TAKE THE CONNECTOR WIRE THROUGH THE HOLE IN THE BOTTOM SHELF AND ATTACH THE BOTTOM METAL CONNECTOR CAP.



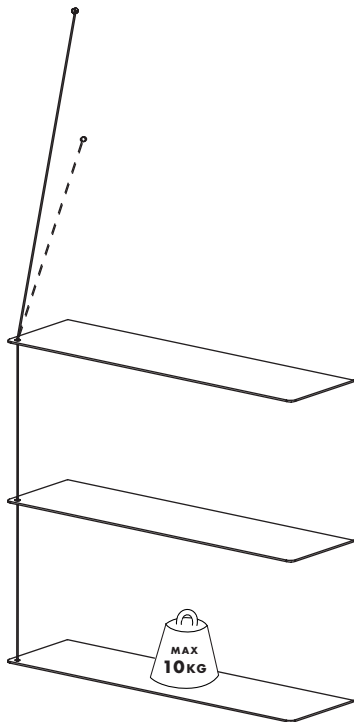
STEP 10

ATTACH THE CONNECTOR WIRE TO THE
UPPER SHELF/MIDDLE METAL CONNECTOR CAP.



STEP 11

MAXIMUM WEIGHT ON EACH SHELF IS 10 KG.
NOW YOU JUST NEED TO PLACE YOUR FAVORITE ITEMS
ON THE SHELVES AND ENJOY.



DESIGNED BY
LEONARD ALDENHOFF