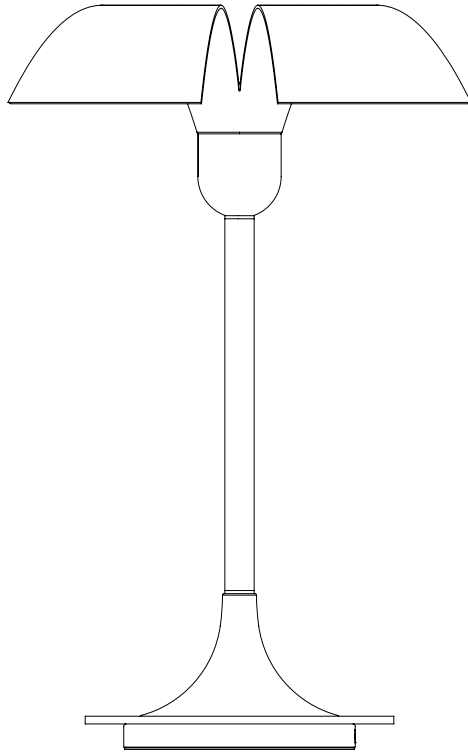


CYCNUS



AYTM

Choosing the right bulb

Choosing the right bulb for the CYCNUS lamp will determine the character of this lamp. Depending on your choice, the lamp will playfully create lights and shadows in a variety of ways. An incandescent led light bulb with a low lumen will create a cozy lighting that is easy on the eyes, whereas other bulbs are convenient for more focused and bright spots.

All CYCNUS lamps use an E27 socket and we recommend bulbs with a maximum of 4w or less. We strongly advice to vary the bulb depending on the size of the lamp. All CYCNUS lamps are available in different sizes, and for the larger ones you can easily go for globe bulbs for a more graphic effect.

Ask your local retailer for assistance/guidance.

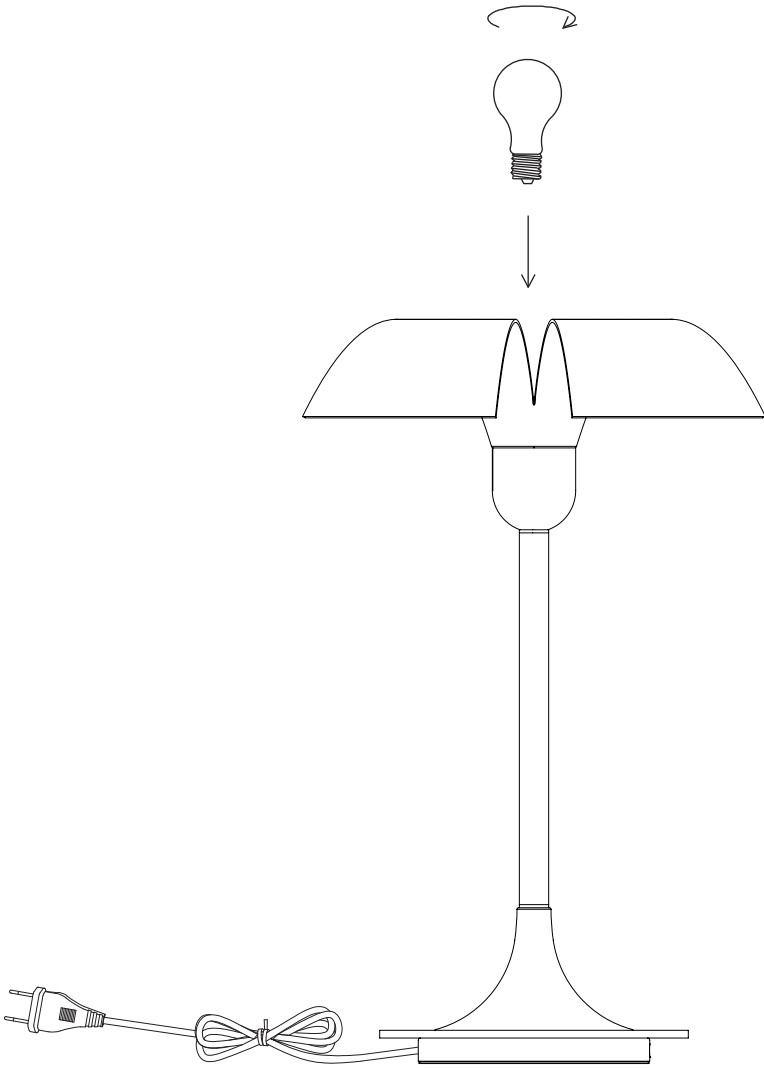
We recommend

Topreflector, gold, led bulb.

Creates a playful effect on the wall and an ambient lighting.

Clear led-bulb.

Creates focused and beautiful lighting and brightens up the room.



/o	
----	---



AYTMDESIGN.COM

#AYTM