

# FLOS

## IC C/W 2

<b>Mounting</b>	Ceiling and wall
<b>Lamps description</b>	1 x 205W E27 HSGS or 1 LED 13W E27 1400lm 3000K
<b>Environment</b>	Indoor
<b>Finish</b>	Brushed brass, Chrome
<b>Technical description</b>	Wall-ceiling lamp providing diffused light. Frame in brass, brushed and transparent varnished or chrome steel. Blown glass opal diffuser.



## ELECTRICAL

<b>Emergency</b>	Without
------------------	---------

## PHYSICAL



<b>Construction material</b>	Blown glass, Brass, Steel
<b>Weight (kg)</b>	3.7



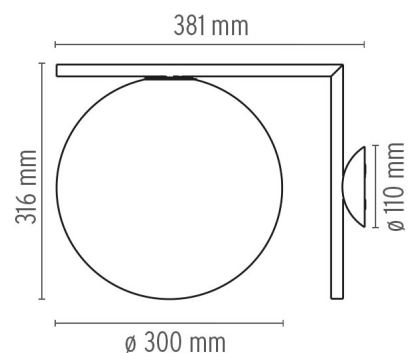
## IC C/W 2

designed by Michael Anastassiades

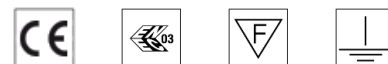
Wall-ceiling lamp providing diffused light.

 F3179057	Chrome
 F3179059	Brushed brass

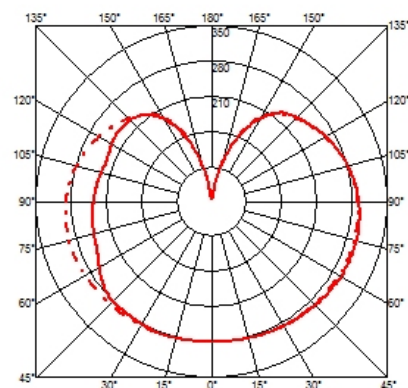
## DIMENSIONS



## CERTIFICATIONS



IP
20



## IC C/W 2 . Lamps



### HSGS 205W E27

**Lamp wattage:**  
205 W

**Lamp category:**  
Halogen mains

**Socket:**  
E27

**Lamp type:**  
HSGS

### LED 13W E27 1400lm 3000K

**Lamp wattage:**  
13 W

**Lamp category:**  
LED

**Socket:**  
E27

**Color temperature (K):**  
3000 °K



**Lamp type:**  
LED



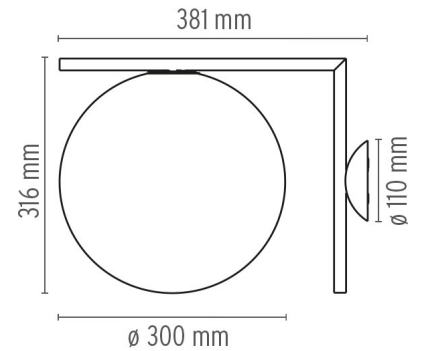
### IC C/W 2

designed by Michael Anastassiades

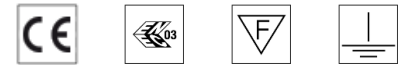
Wall-ceiling lamp providing diffused light.

-  F3179057 Chrome
-  F3179059 Brushed brass

### DIMENSIONS



### CERTIFICATIONS



IP
20

