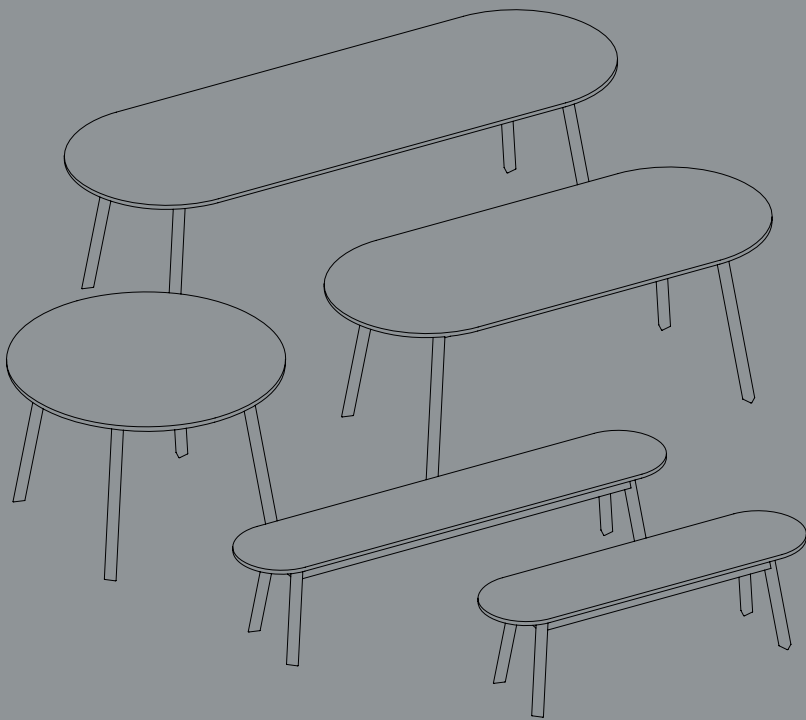


INSTRUCTION MANUAL

---

# TRIANGLE LEG COLLECTION



*By Simon Jones*

**HAY**

## INTRODUCTION

---

Motivated by the desire to create more space around a circular table, Simon Jones designed the Triangle leg table and bench series.

The ends of the rectangular tabletop have been rounded, creating a sociable setting that maximises seating numbers around the table yet keeping the shape compact. The triangular leg section creates the illusion of lightness and provides optimal compatibility with both square- and round chair legs. Crafted in solid oak with an oiled or clear lacquer finish, this versatile table is suitable for a wide range of private and public dining or office environments.

## CARE AND MAINTENANCE

---

### CAUTION

With a little care you can prolong the life of your furniture. Follow the instructions for the materials of your specific product to make sure that it stays in the best shape for as long as possible.

The information below is only intended as a general guideline. For more information on how to remove specific stains, please enquire where you bought the furniture.

- Always remove stains quickly before they can do any permanent damage to the furniture.

- Avoid placing the furniture in direct sunlight or near a strong heat source to reduce changes. As wood is a natural material, it will change in colour and will patinate over time.

- When you move your furniture, make sure you lift it rather than pulling or pushing it to avoid damaging the floor, legs and mountings.

- Tighten up the screws after one to two months' use and whenever required.

- Avoid improper use such as putting your feet on the table or standing on it.

- Use coasters under damp, hot or coloured objects to avoid permanent stains.

- Be careful not to scratch or damage the surface with sharp objects.

- Avoid partially covering the surface, for example with tablecloths, cushions, skins or place mats, as colour variances may appear.

## CARE AND MAINTENANCE

---

### OILED WOOD

- Wipe with a clean, dry cloth. If the surface is dirty, wipe with a clean cloth wrung in water or in a solution of water and a neutral detergent or soap flakes. Remove any soap residue immediately using a clean, dry cloth.

- Never use soft soap or solvents such as spirit, turpentine or acetone.

- Avoid using scouring cream or scouring pads, as they may scratch the surface.

- If the surface is scratched or appears matt, make sure to use an oil hardening care product specifically designed to maintain oiled wooden surfaces.

- Clean the furniture thoroughly (12 hours) before applying the oil to all surfaces. To ensure optimal absorbency, gently sand down the wood using fine-grit sandpaper (No.180 or 240), always sanding in the direction of the grain. Apply the oil generously using a clean cloth or a sponge, always going with the grain. Do not pour the oil directly on the surface.

- When the surface is glistening, leave the oil on for around two hours until fully absorbed. Remove any excess oil with a clean lint-free cloth. Leave the furniture to dry overnight (min. 12 hours) and avoid placing anything on the surface before it is completely dry.

- If the grain of the wood rises after oiling, gently sand down the wood using fine-grit sandpaper (No. 180 or 240), always applying in the direction of the grain.

- To optimally maintain the naturally beautiful appearance of the wood, we recommend you regularly treat the furniture's surface with oil whenever it appears dull, scratched or as needed.

### LACQUERED WOOD

- Wipe with a clean cloth wrung in water or in a solution of water and a neutral detergent. Remove soap residue immediately using a clean, dry cloth.

- If the surface is scratched or appears matt, use a care product specifically suited to lacquered or stained wood.

- Avoid using detergents containing silicone, as they seal the stain in and make subsequent repairs more difficult.

- Avoid using scouring cream or scouring pads, as they may scratch the surface.

### SOAPED WOOD

- Wipe with a clean cloth wrung in water or in a solution of water and a neutral detergent or soap flakes. Remove soap residue immediately using a clean, dry cloth.

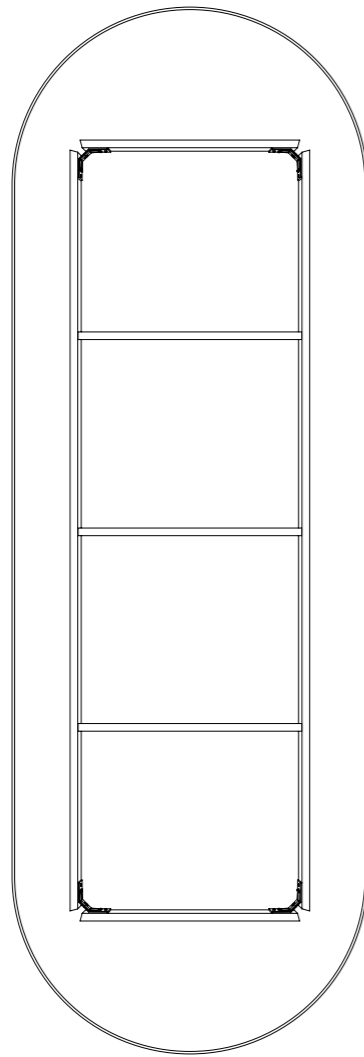
- To remove stains, clean and scrub using a thick solution of soap flakes that should not stay on the wood for more than two minutes. Then remove the remaining soap residue using a damp cloth.

- If the grain of the wood rises after cleaning, gently sand down the wood using fine-grit sandpaper (No. 220), always sanding in the direction of the grain.

- If the surface is scratched or appears matt, use a care product specifically suited to soaped wood.

# PARTS

Make sure that all parts are included.



A x 1



B x 4



C x 4



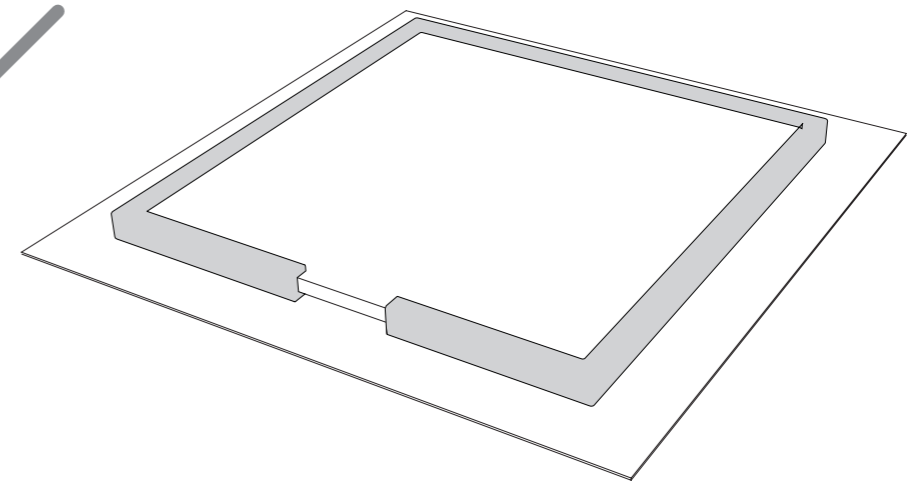
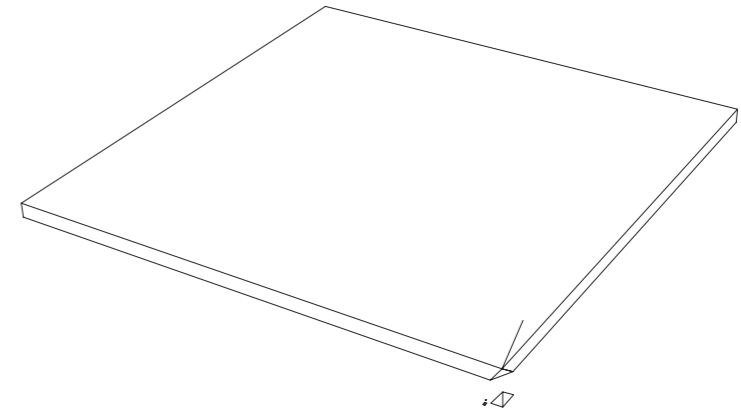
D x 4



E x 1

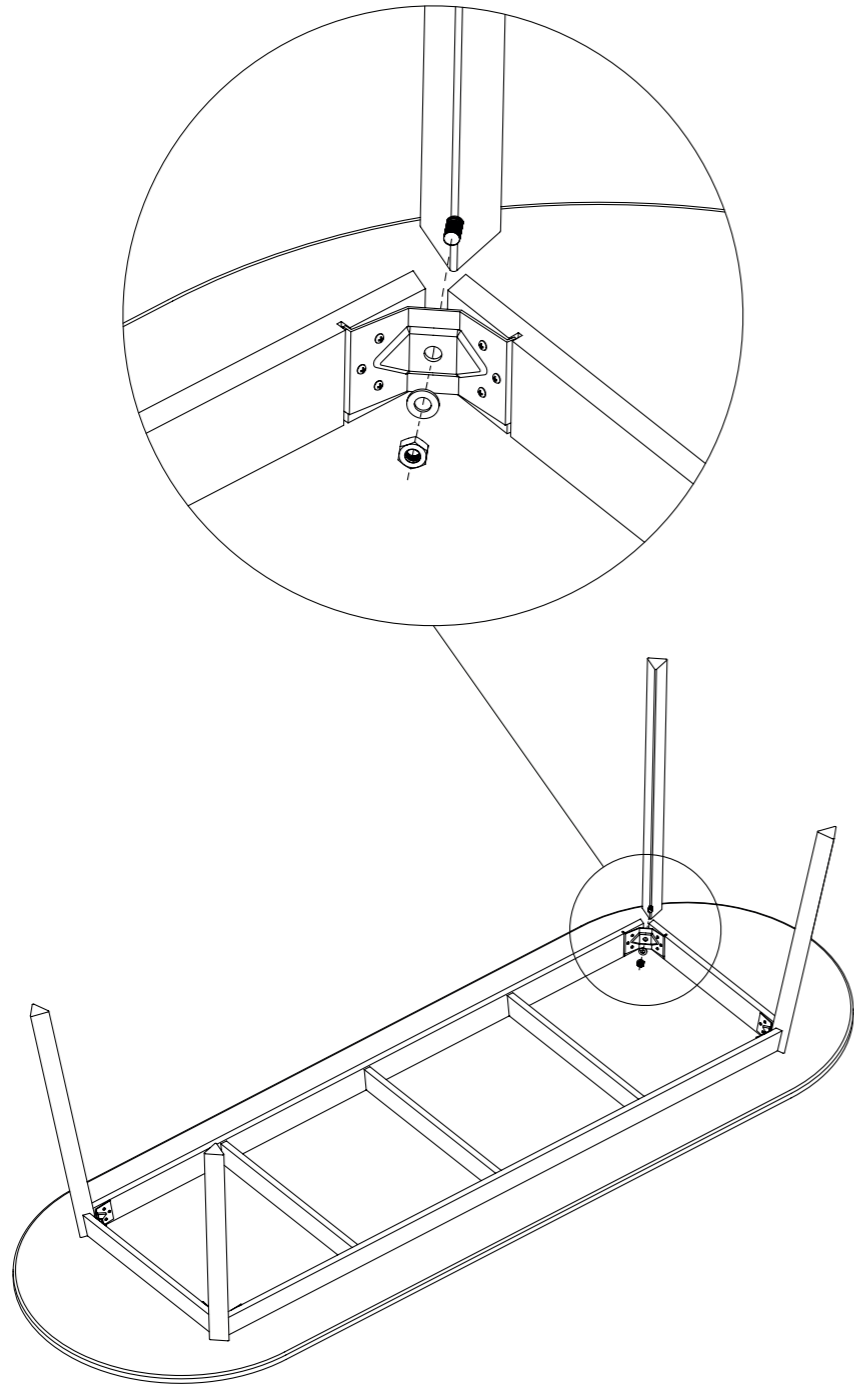
1.

While assembling, keep the table inside the cardboard box with foam edge in order to protect the tabletop from scratches etc.



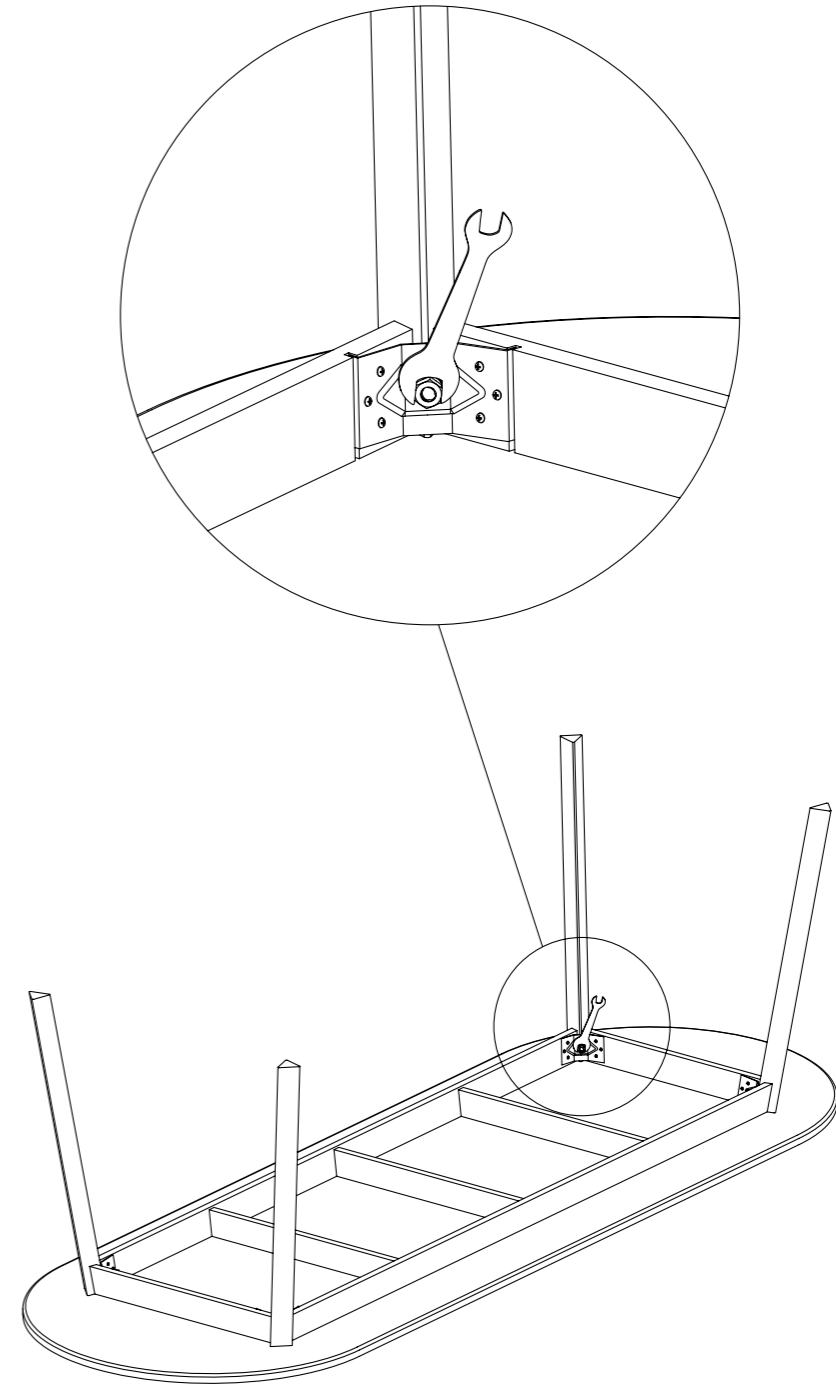
2.

Slide the bolt attached to the B part through the hole in the corner fitting of the A part. Thread the C part onto the bolt and secure with the D part. Repeat the same procedure for all four legs.



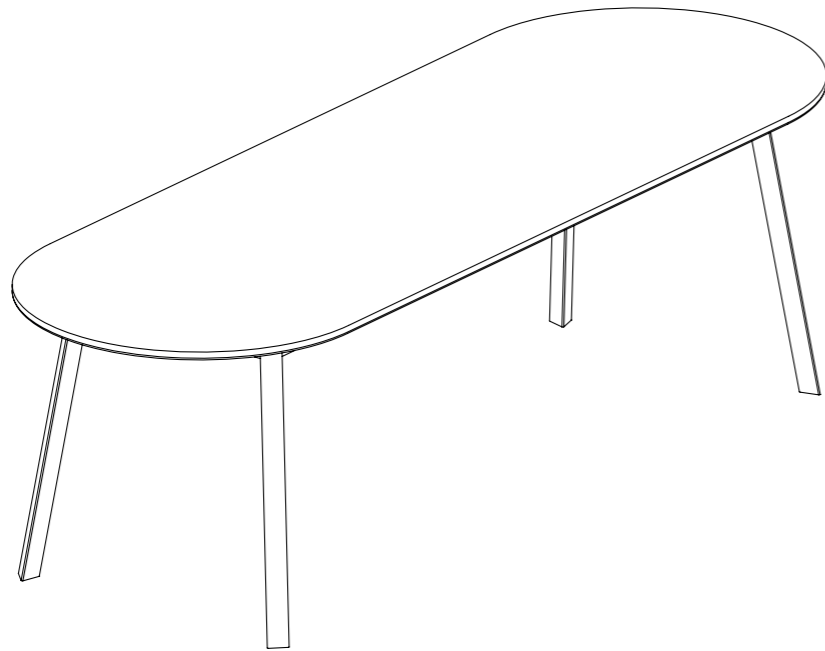
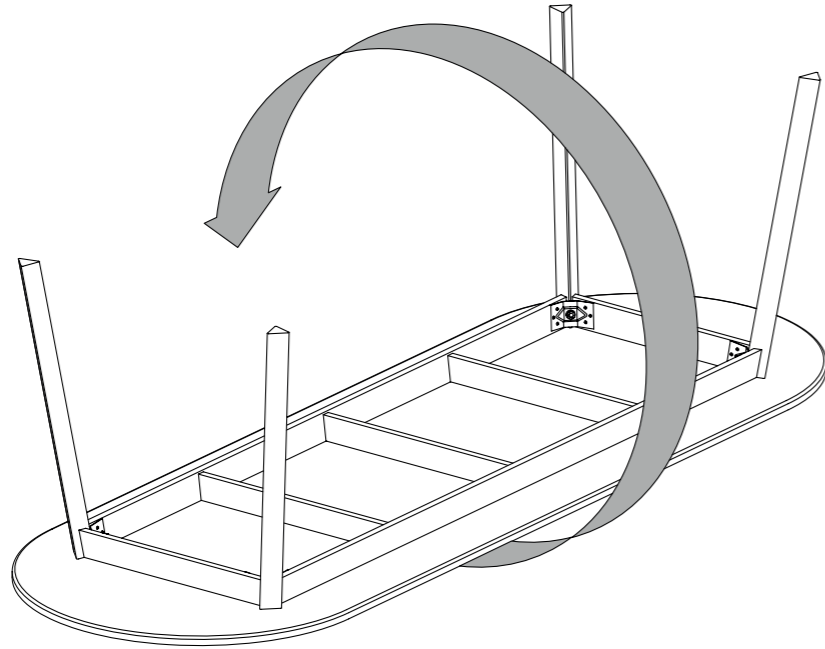
3.

Use the E part to tighten the D part. Repeat the same procedure for all four legs.



4.

Turn the table over and make sure all bolts are completely tightened.  
(2 persons recommended).



Havnen 1 8700 Horsens Denmark  
+45 4282 0282 / hay@hay.dk

**HAY**

ITEM NO. 706382



08052018