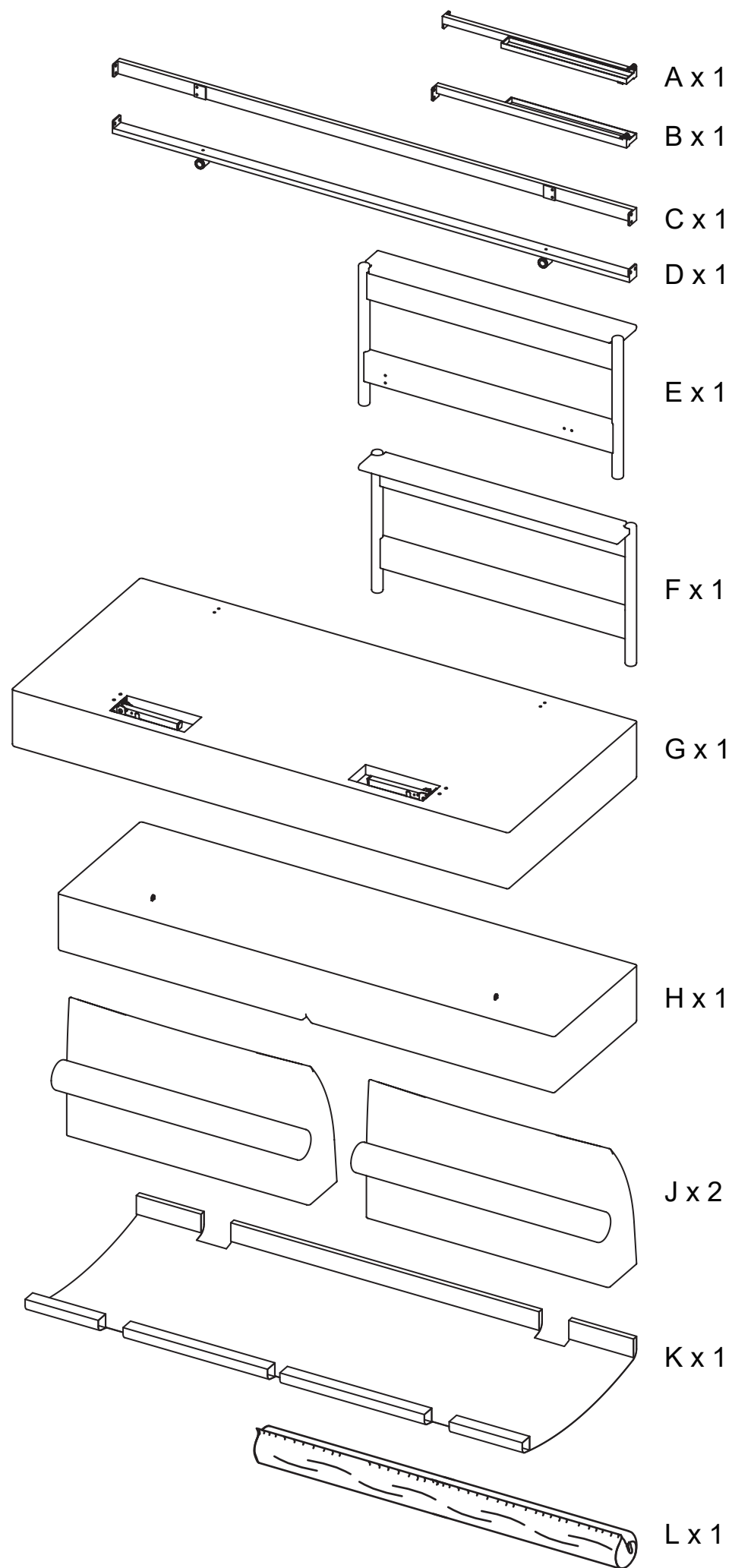


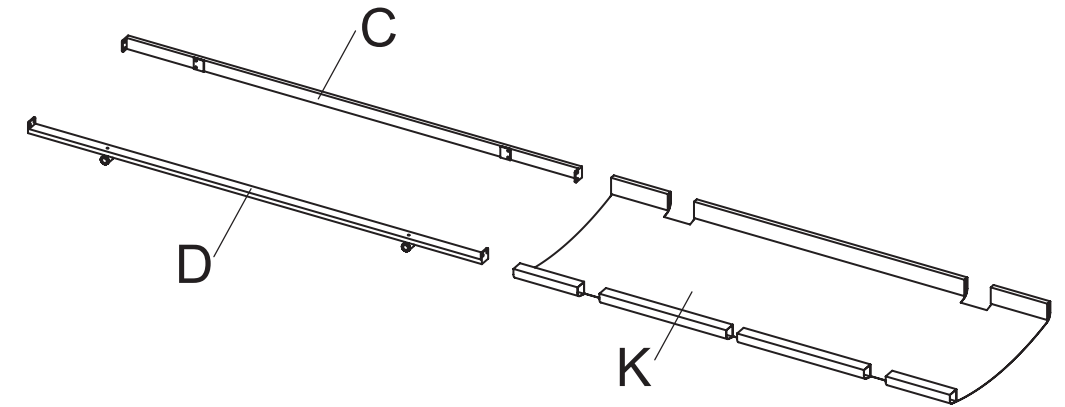


- ① x 4
- ② x 16
- ③ x 2
- ④ x 2
- ⑤ x 2
- ⑥ x 2
- ⑦ x 2
- ⑧ x 2
- ⑨ x 1
- ⑩ x 1
- ⑪ x 1

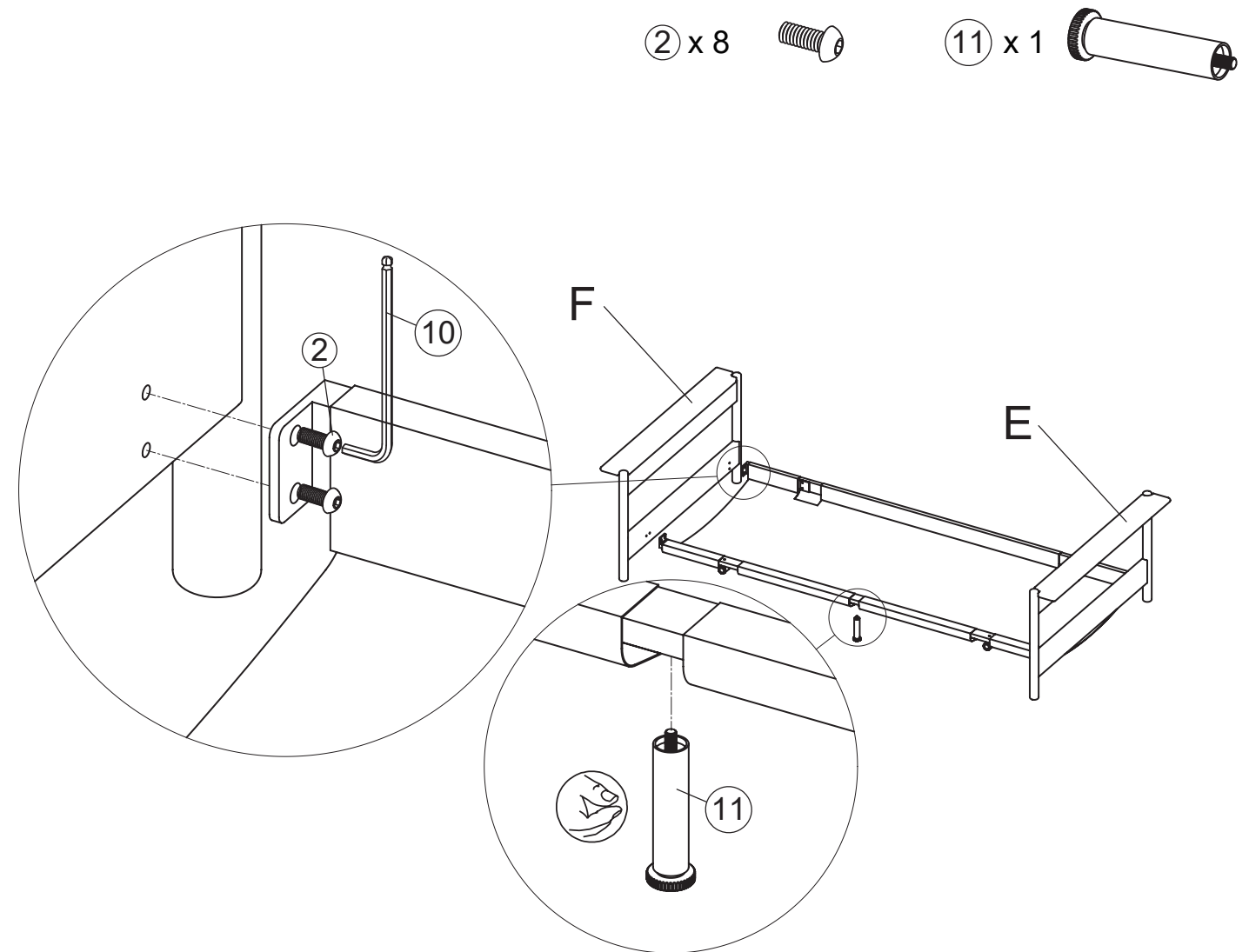


069948

1

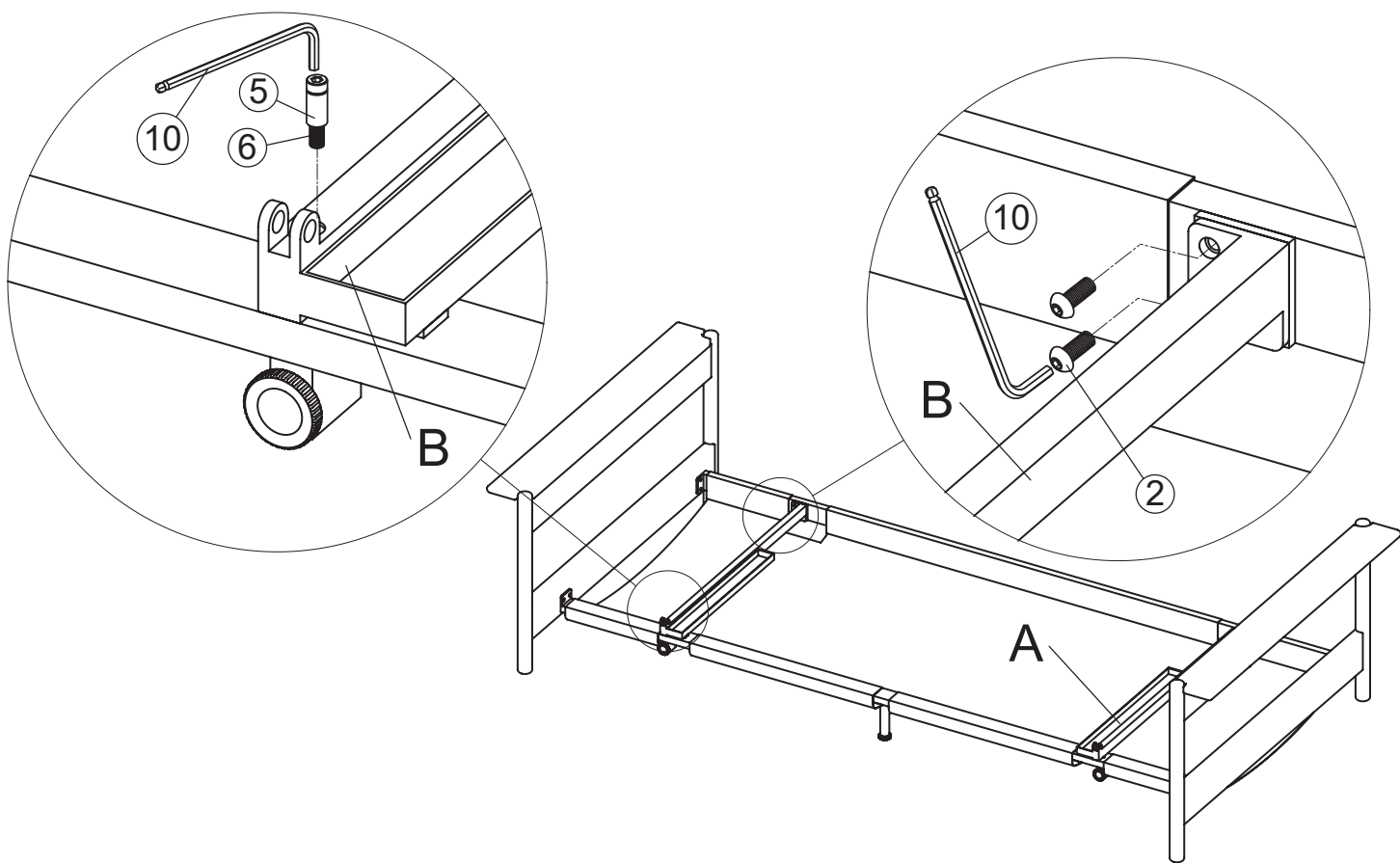


2



3

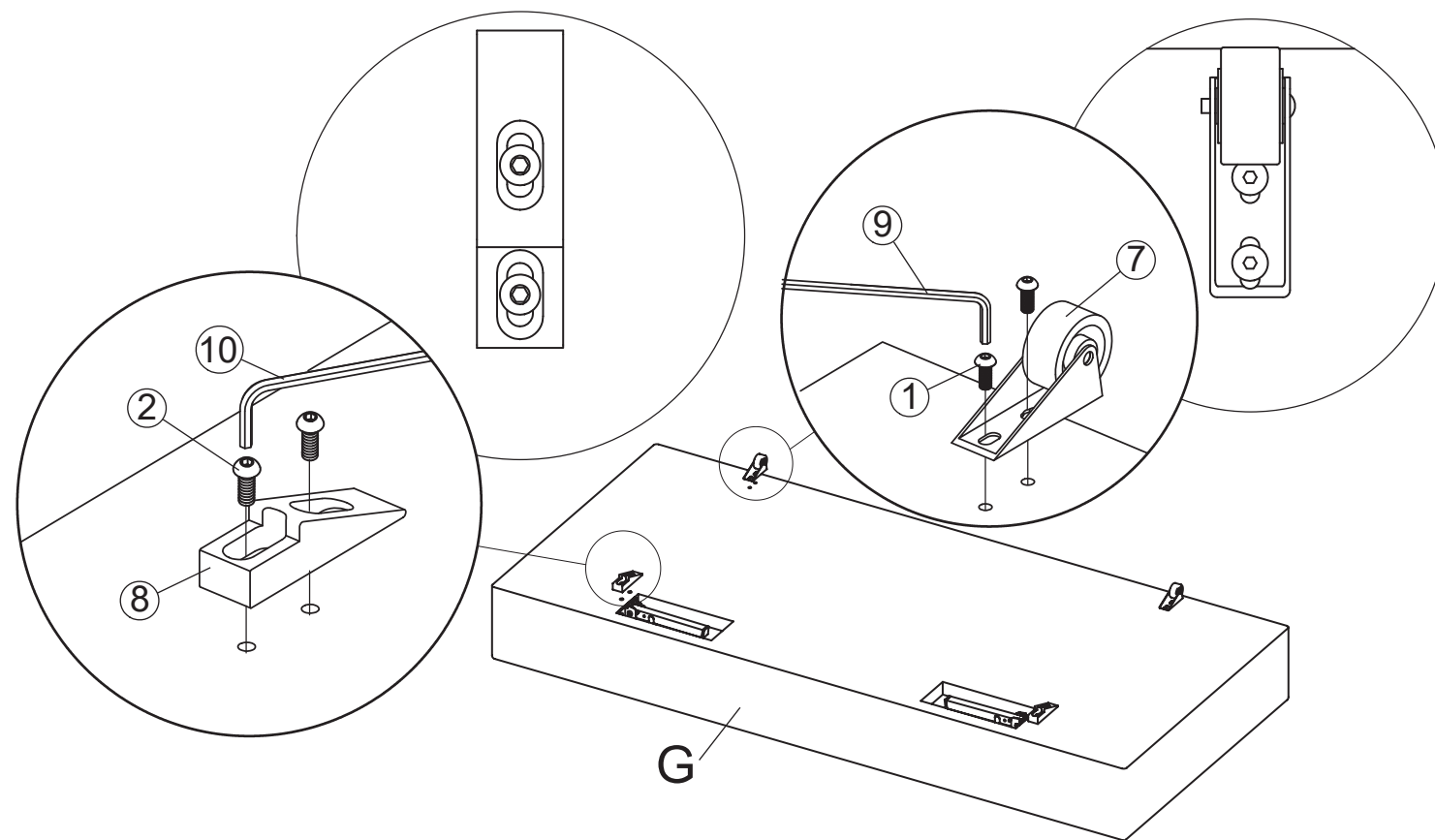
② x 4 ⑤ x 2 ⑥ x 2



069948

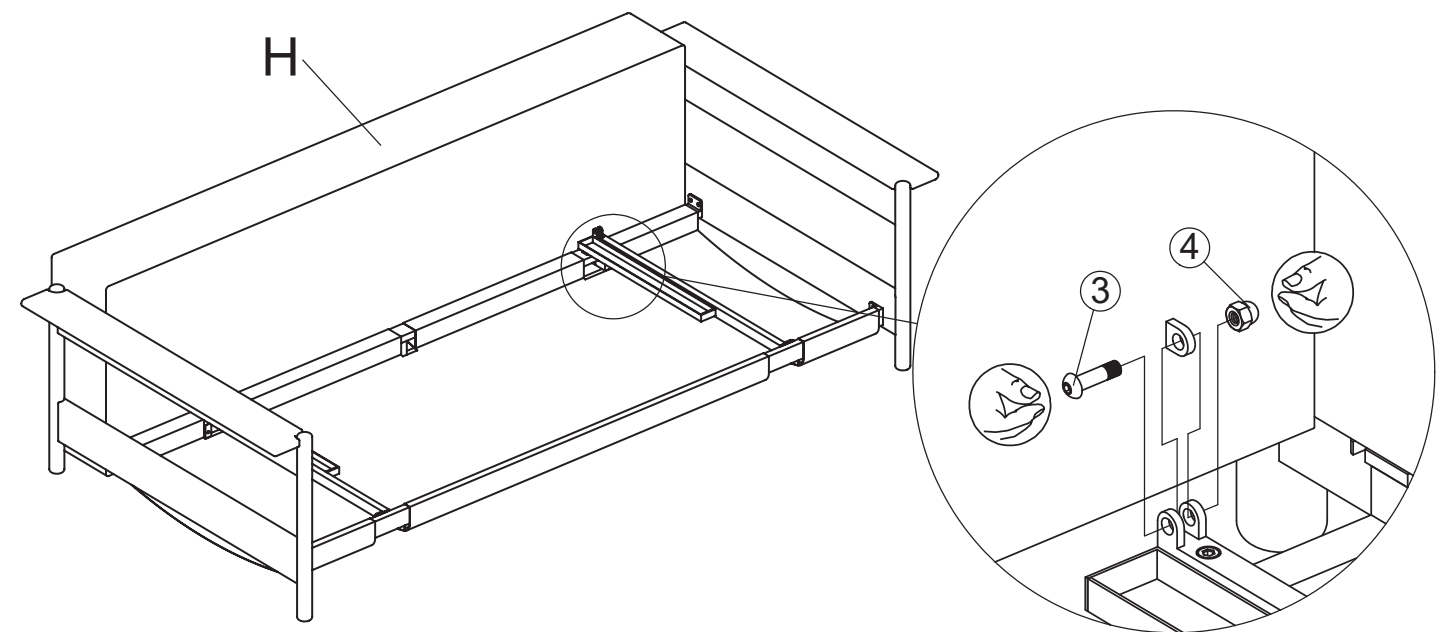
5

① x 4 ② x 4 ⑦ x 2
⑧ x 2

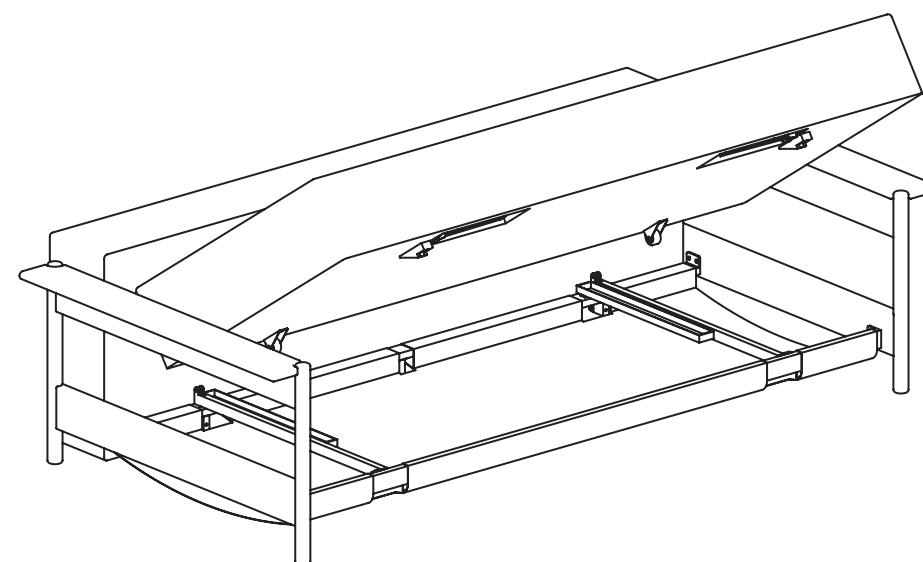


4

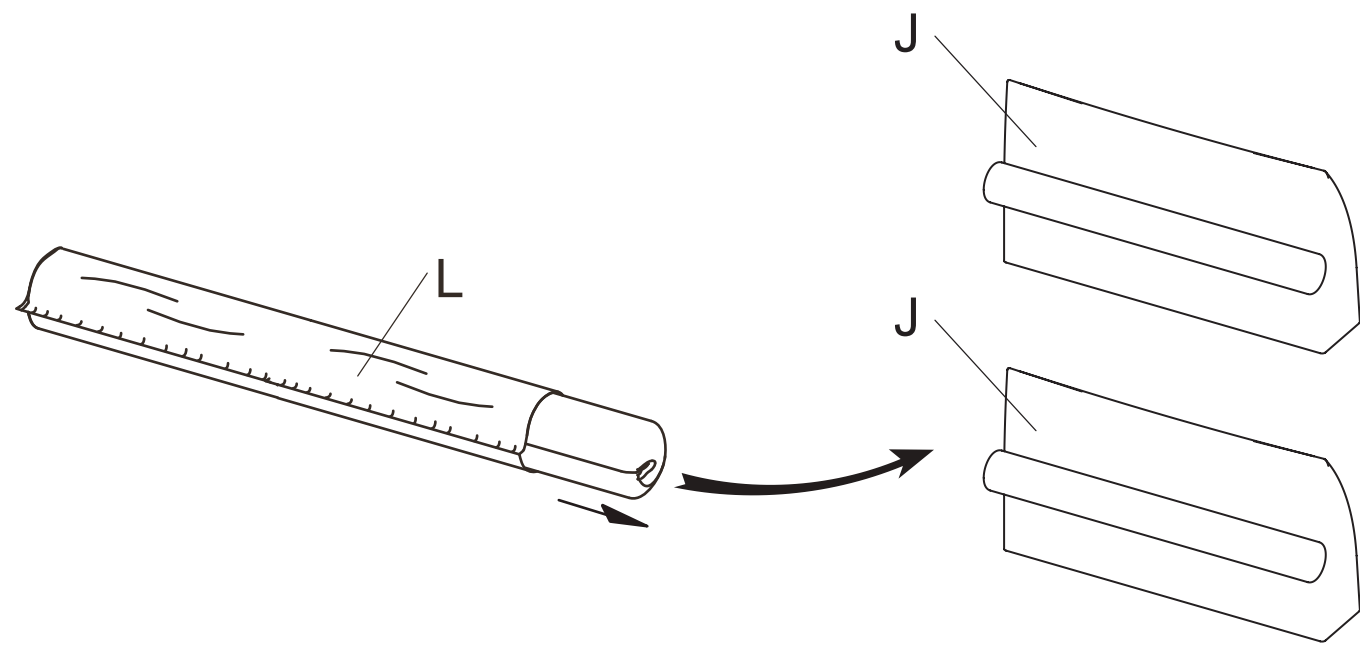
③ x 2 ④ x 2



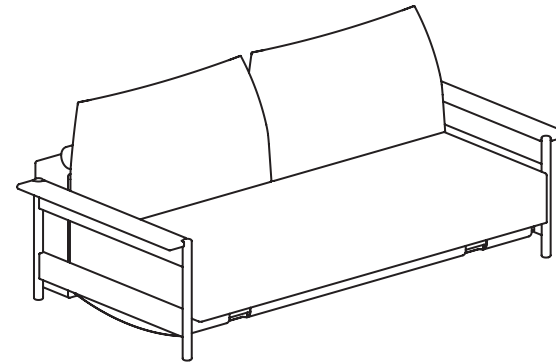
6



7



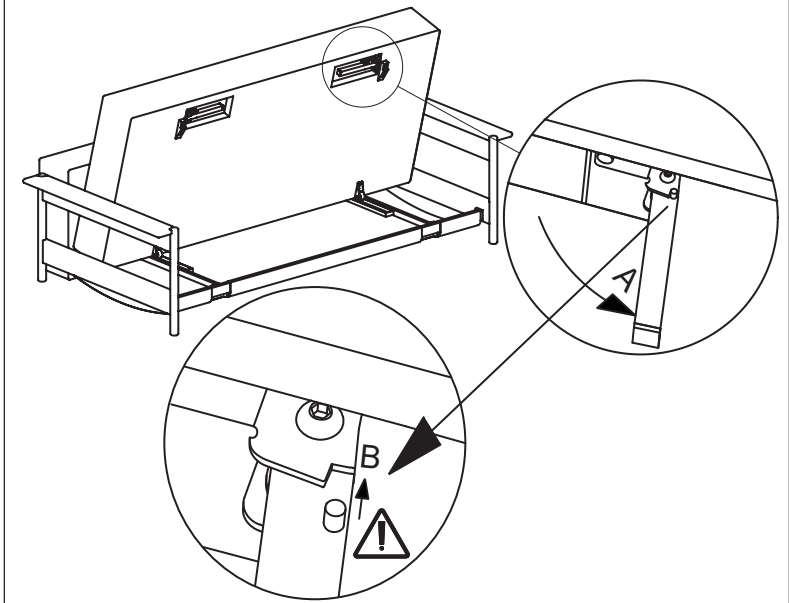
1



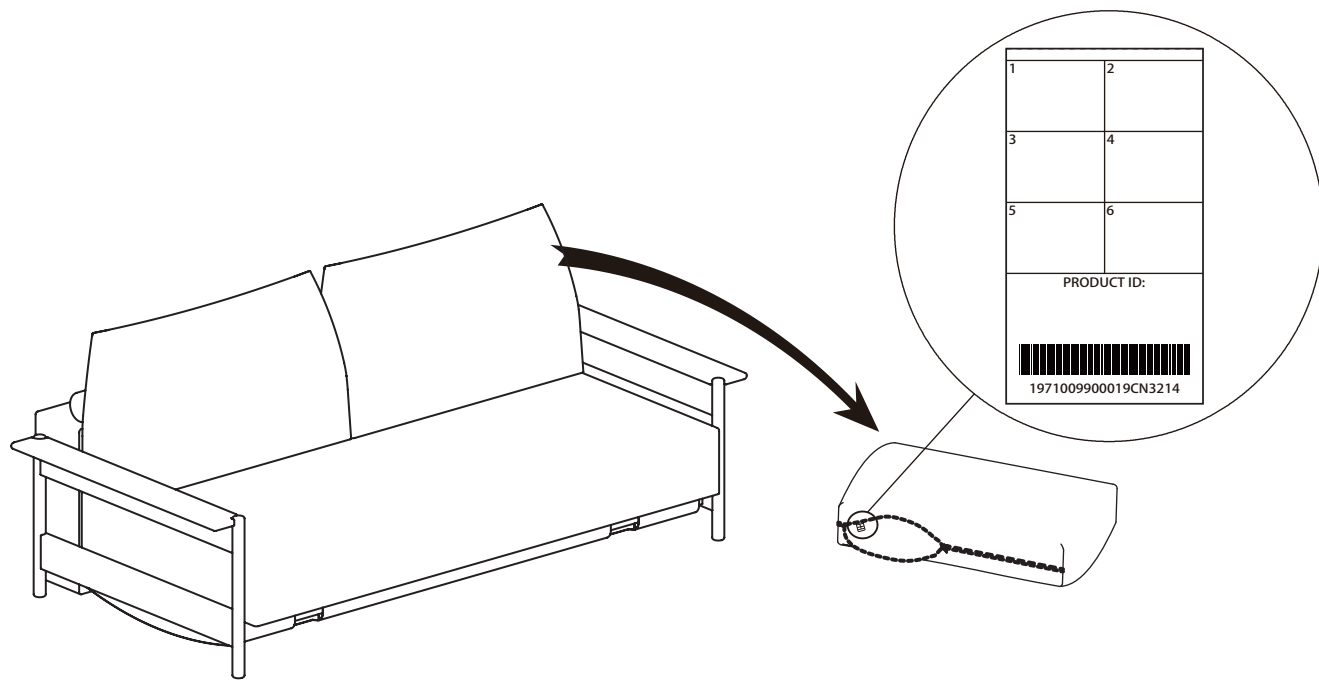
SIDDE-SITZEN-SIT-ASSISE

2

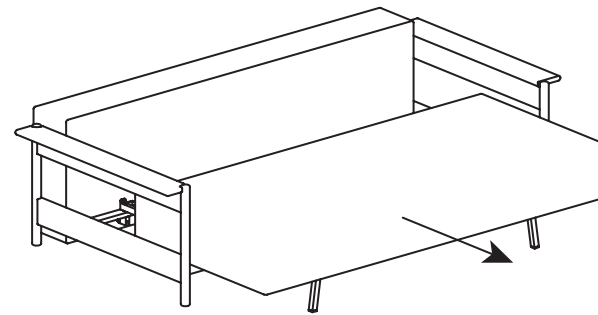
069948



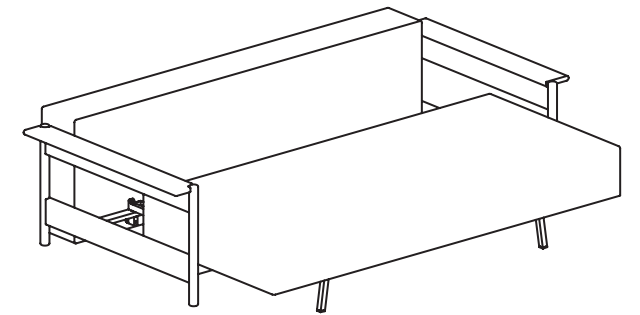
8



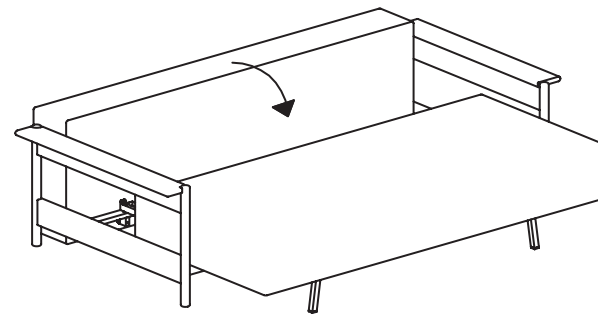
3



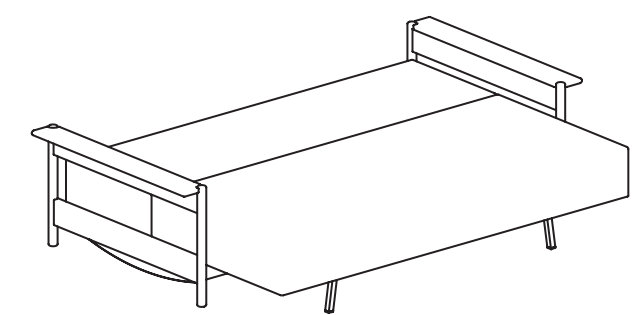
4



5



6



SOVE-SCHLAFEN-SLEEP-DORMIR